

AIR ROPE HOIST | LIFTMASTER EHW

Mobile application

The pneumatic rope hoist LIFTMASTER EHW is a practical addition to the TC chain hoist program. This model is ideal for small load up to 120 KG that must be moved quite often. All hoists are equipped with a high-tensile steel rope which is spooled on a drum inside of the hoist body.

Two types of control

The EHW types are hand guided and have their control direct at the hoist body that allows one hand of operator to be free for other actions. The EHW-R hoists have a separate push key pendant control with one red emergency shut-off mushroom button that ensures safety and complies with CE-regulations.

Automatic Brake

All hoists have a fail-safe automatic disc brake which holds the load in any position even if the air supply fails.

Versatility of Service

These hoist are perfectly used at pack tables, for lifting of barrels, bundles, parcels, over machine tools in slewing cranes etc. The hoists switch off automaticaly in highest and lowest hook position. Interesting is the combination with a pneumatic vacuum lifter, whereby both units can be served through one common air line. All hoists have a standard 2-meter rope which fits onto the drum. That is sufficient in most cases. However if you need a longer rope, perhaps to allow a higher suspension of the type EHW-R, we can extend the rope. But this additional length cannot be spooled on the drum. The control hoses can be made longer up to 10 m. The air pressure shall be max. 6.3 bar, but it can drop to 4 bar and the hoist still lifts its rated capacity, only much slower.

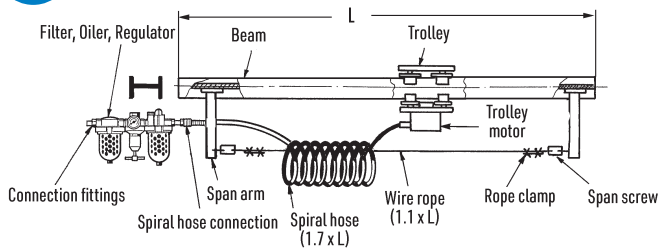


EHW120R

TYPE	EHW ...	60R	120R
Capacity	kg	60	120
Standard lift	m	2	2
Number of rope strands		1	1
Air pressure	bar	6	6
Lifting speed with full load	m/min	26	16
Air consumption	m ³ /min	0.9	0.9
Air inlet R	inch	3/8"	3/8"
Weight with standard lift	kg	10	10
EHW... with standard rope length	Order No.	H10083	H10084

More capacities on request.

TYP 1 SPIRAL HOSE

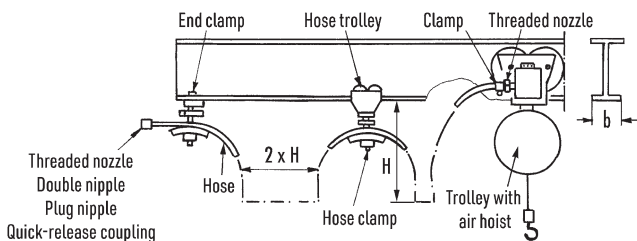


Beam length up to 10 m are best to serve with a spiral hose for air supply. A rope is spanned parallel to the beam between two holding arms. The spiral hose winds around it. The plastic hose acts like a spiral spring, gets longer or shorter with the moving trolley.

Complete set for 3 meter beam drive:

Spiral hose with reserve ($1.7 \times L$), twistable connections with male thread, 2 span arms, wire rope with reserve, 4 rope clamps and 2 span screws. The maintenance unit (filter, lubricator, regulator) should be fixed as near as possible to the trolley. Short beams may have it at the beginning of the beam.

TYP 2 DRAG HOSE



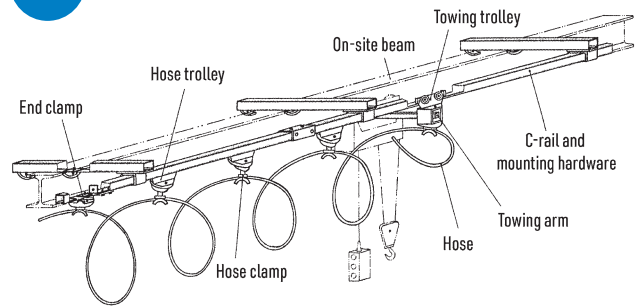
Pulling the air hose behind the trolley is the easiest way to bring air to the hoist. Small plastic trolleys carry the hose in certain distance behind the trolley. The hose hangs normally one meter down. So one hose carrier is needed each two meters. The hose is transparent with a strengthening textile inlet. It stands a pressure up to 15 bar. Water and oil cannot harm it. Since the trolleys are pushed together when the train comes into end position, the beam must be a little bit longer.

Complete set:

The beside mentioned order number includes all accessory for a beam length of 3 m. In details: air hose plus 3 meter addition for leading down to the ground where a ball valve cuts air supply off. Plastic trolleys, end clamp, nipples end other fittings. If the hose shall be detachable, a quick-acting coupling shall be ordered.

ATTENTION: Driving through curves need special equipment. Please inquire!

TYP 3 C-TRACK



A C-track is the most comfortable air supply. The total beam length can be used for driving. This type is mostly used with slewing cranes because the complete length of swing arm is necessary to drive on. Here the holding arm of C-rack can be fixed easily what is difficult in opposite under the ceiling in case of a double T-beam. C-tracks are available in lengths of 6 m. They are added with combiners to longer rails.

Complete set:

Basic set for 3 m travel: compressed air hose plus 3 metres extra for lowering to the floor, ball valve at the start of the hose for connection to your ring line, three support arms with brackets and screws, C-rail holder, C-rail, rail connector, driver arm, driver trolley, end clamp and cable trolley with hose holders.



TYPE		1	2	3
Standard driving length				
Complete 1/2 inch	Order No.	H10180	H10181	H10182
1 m more rail length 1/2 inch	Order No.	H10183	H10184	H10185
Complete 3/4 inch	Order No.	H10186	H10187	H10188
1 m more rail length 3/4 inch	Order No.	H10189	H10190	H10191
Complete 1 inch	Order No.	-	H10193	H10194
1 m more rail length 1 inch	Order No.	-	H10196	H10197
Special equipment:				
Quick-action coupling 1/2 inch	Order No.	-	H10199	H10200
Quick-action coupling 3/4 inch	Order No.	-	H10202	H10203
Quick-action coupling 1 inch	Order No.	-	H10205	H10206
Air hose 1/2 inch - 6 bar	Order No.	-	H10208	H10209
Air hose 3/4 inch - 6 bar	Order No.	-	H10211	H10212
Air hose 1 inch - 6 bar	Order No.	-	H10214	H10215
Air hose 1 1/4 inch - 6 bar	Order No.	-	H10217	H10218
Air hose 1 1/2 inch - 6 bar	Order No.	-	H10220	H10221