



Hoists and winches since 1861



MANUAL ROPE WINCH **PMW-WW**

Manual Rope Winch

 ATEX version optional



PMW-WW 1000

PMW-WW 1000
2 drum
compartment

PMW-WW 2000
Console
mounting

PMW-WW 2000
Wall mounting

MANUAL ROPE WINCH | **PMW-WW**

This hand winch is very safe due to the natural braking effect of the worm gear transmission in combination with the load pressure brake. In addition, the winch is easy to use, can be mounted in various ways and has a cable storage up to 120 m.

Standard features:

- Robust and safe lifting and pulling winch in compliance with EN13157
- Static safety factor 4
- From capacity 2,000 kg: 2 lifting speeds
- Right angled, easy to grease worm transmission and maintenance free bearings
- Load pressure brake with double ratchet system for safe stable hold of the load in any position
- WW500 – 1500: Cable outlet upwards, downwards or at rear
WW2000 – 7500: Cable outlet upwards or at rear
- Adjustable crank, with ergonomic grip
- Suitable for wall and floor mounting
- Large rope capacity
- Simple and quick attachment
- Paint thickness is 60 - 80 micron in 1 layer and in compliance with DIN/ISO 12944, C1M - RAL 7035 (grey)
- Corrosion resistant

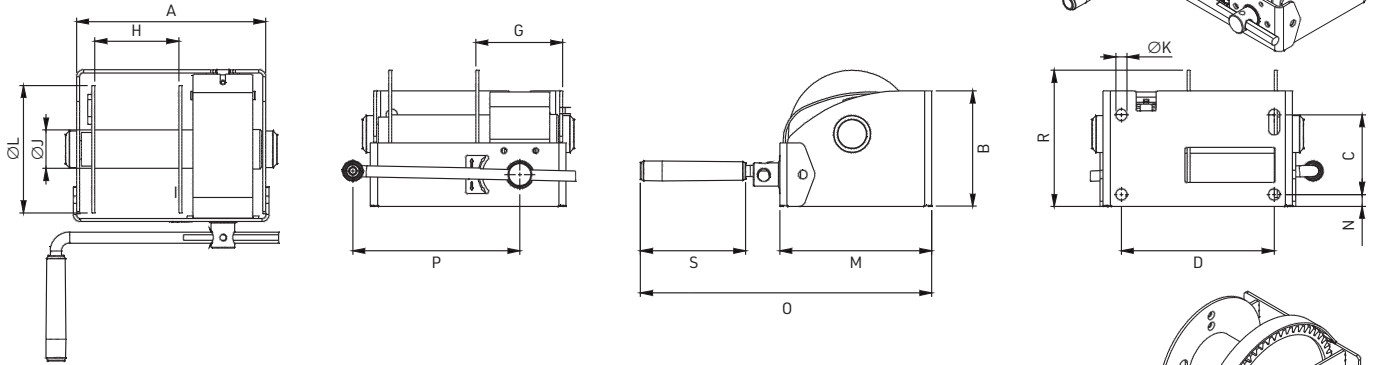
Options:

- Zinc-plated finish 6 - 8 micron
- 2 layers of paint (140 - 160 micron)
- Grooved drum
- 2 drum compartment or (from 2,000 kg: multiple up to 8)
- Suitable to use with webbing belt W: 50 mm D:2 mm / belt storage WW250: 10 m, belt storage WW500: 14 m, belt storage WW1000-1500: 15 m
- Suitable for floor mounting
- From 2,000 kg: free-spooling device for pulling applications. To disengage the drum
- From 2,000 kg: free-spooling device with additional friction brake for controlled cable unwinding
- ATEX certified zone 2 and 22
CE II 3G Ex IIC T4 Gc, -20°C < T amb < +70°C
CE II 3D Ex IIIC T135°C Dc, -20°C < T amb < +70°C
- Custom options possible - on request

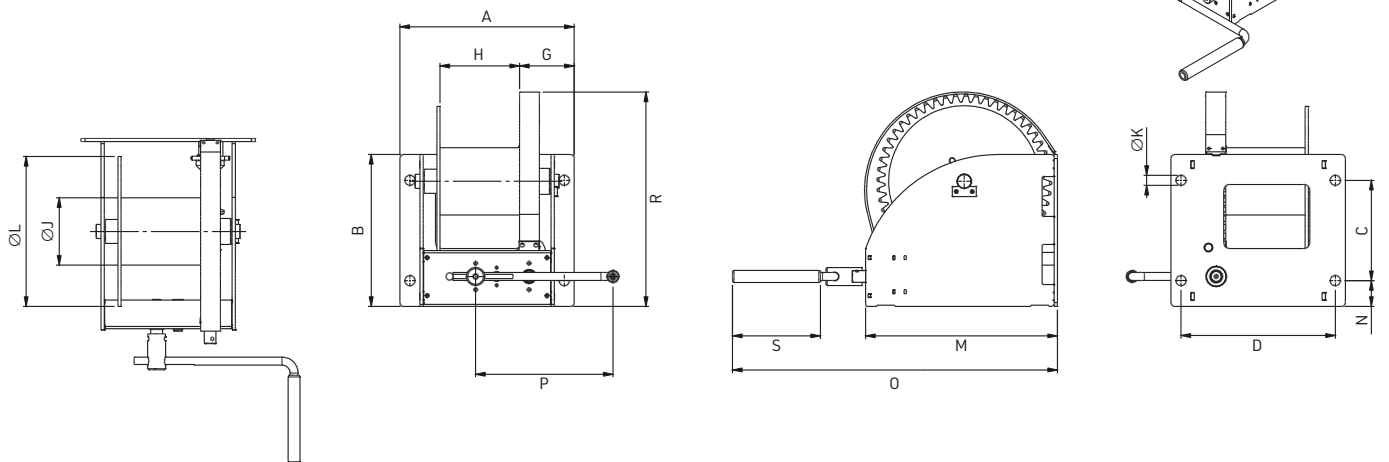
Accessories:

- Steel or stainless steel wire rope
- Pulley block
- Electric or air motor available from 1,000 kg

PMW-WW250-1000



PMW-WW2000-7500



TYPE	PMW-WW ...	250	500	1000	1500	2000	2500	3000	4000	5000	7500
Capacity 1st layer	kg	250	500	1,000	1,500	2,000	2,500	3,000	4,000	5,000	7,500
Capacity 4th layer	kg	179	355	722	1,025	1,432	1,748	2,143	2,755	3,585	5,249
Capacity top layer	kg	92	224	527	846	1,038	1,344	1,667	2,282	3,276	3,748
Rope diameter-Ø	mm	4	6	8	10	12	12	14	16	18	22
Rope storage 1st layer	m	3.6	4.3	4.7	4.2	5.4	5.4	5.7	5.2	5.2	4.2
Rope storage 4th layer	m	18.7	22.8	25.6	24	30	30	32.5	30.8	31.5	27.9
Rope storage bottom layer	m	104	78	63	41	75.3	63.1	68.7	53	42.9	72.6
Crank effort at full load	daN	5	10	13	14	27 (15)	28 (15)	31 (14)	30 (13)	73 (15)	78 (15)
Lift per crank rotation	mm	17	20	13	9	12 (5)	12 (5)	11 (5)	11 (2)	13 (3)	11 (2)
A (dimensions)	mm	283	269	302	302	410	410	436	436	436	510
B	mm	145	160	195	250	310	310	380	380	467	500
C	mm	100	115	141	178	196	196	251	251	316	350
D	mm	192	223	254	254	360	360	386	386	386	455
G	mm	107	108	109	109	137	137	325	325	325	325
H	mm	105	135	162	162	177	177	203	203	200	202
J	Ø mm	48	70	102	102	133	133	168	168	219	245
K	Ø mm	14	14	17	17	25	25	25	25	25	25
L	Ø mm	160	190	240	240	312	312	375	375	437	630
M	mm	191	221	266	278	372	372	480	480	515	635
N	mm	15	15	15	15	57	57	65	65	75	75
O	mm	365	393	440	451	705	705	813	813	847	968
P	mm	325	325	350	350	380	380	380	380	380	380
R	mm	171	193	263	306	434	434	536	536	618	748
S	mm	132	132	132	132	220	220	220	220	220	220
Weight (without rope)	kg	10	13	22	24	60	60	78	80	117	190
PMW-WW...	Order No.	H30300	H30301	H30302	H30303	H30304	H30305	H30306	H30307	H30308	H30309

PLANETA - Hebetchnik GmbH

Resser Straße 17 · 44653 Herne · Germany · Phone: +49 (0) 2325 9580 0 · Fax: +49 (0) 2325 77077
info@planeta-hebetechnik.de · www.planeta-hebetechnik.de

