



PLANETA

Hoists and winches since 1861



MANUAL ROPE WINCH
PMW-TL

Manual Rope Winch

 ATEX version optional



PMW-TW
300

MANUAL ROPE WINCH | **PMW-TL150**

This small compact hand-operated winch weighing only 4 kg excels because of its high speed. Its speed and size make it well suited to smaller jobs.

Standard features:

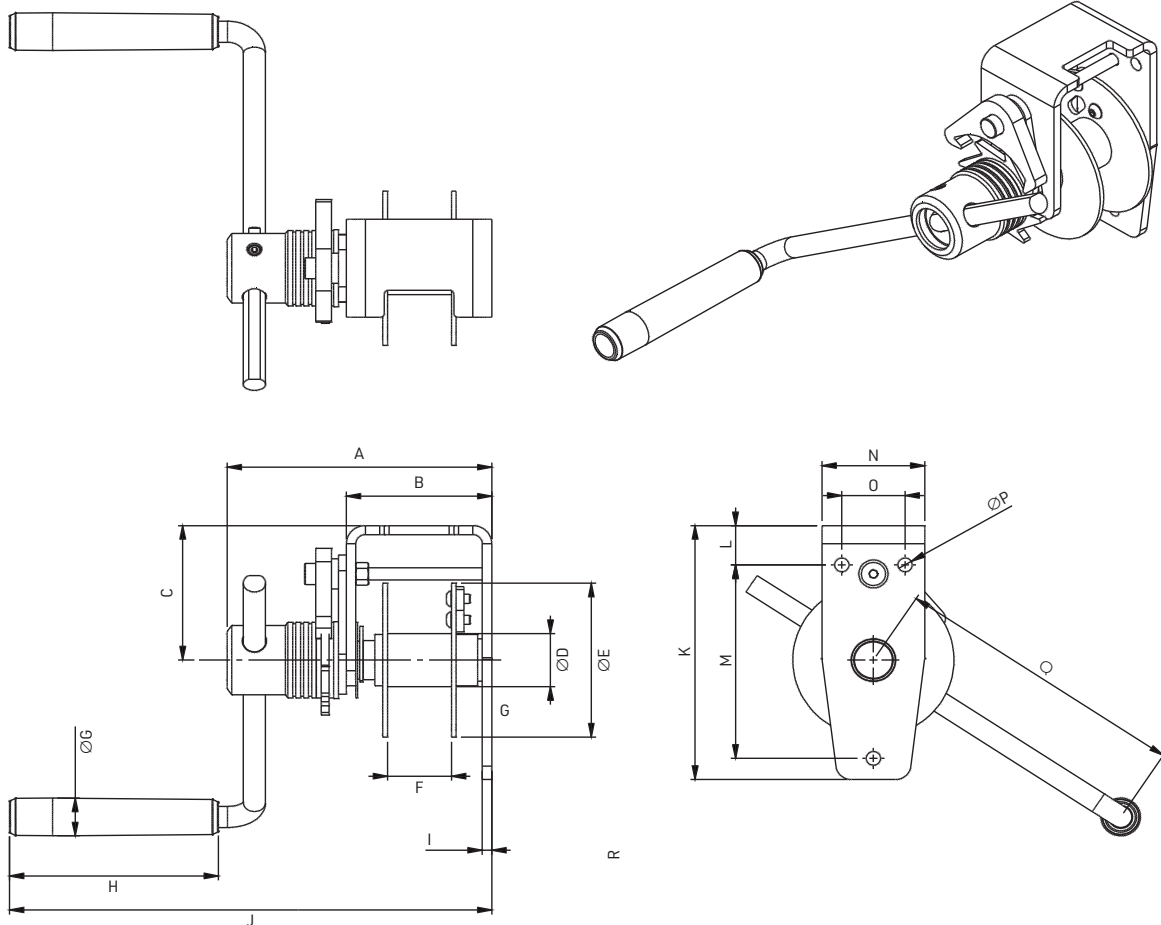
- Robust and safe lifting and pulling winch in compliance with EN13157
- Static safety factor 4
- Direct transmission for high speed
- Maintenance free bearings
- Load pressure brake with double ratchet system for safe stable hold of the load in any position
- Cable outlet upwards
- Adjustable crank, with ergonomic grip
- Suitable for wall mounting
- Simple and quick attachment
- Saint thickness is 60 - 80 micron in 1 layer and in compliance with DIN/ISO 12944, C1M - RAL 7035 (grey)
- Corrosion resistant

Options:

- Zinc-plated finish 6 - 8 micron
- 2 layers of paint (140 - 160 micron)
- ATEX certified zone 2 and 22
CE II 3G Ex IIC T4 Gc, -20°C < T amb < +70°C
CE II 3D Ex IIIC T135°C Dc, -20°C < T amb < +70°C
- Custom options possible - on request

Accessories:

- Steel or stainless steel wire rope
- Pulley block



TYPE	PMW-TL ...	150
Capacity 1st layer	kg	150
Capacity 4th layer	kg	98
Capacity top layer	kg	67
Rope diameter-Ø	mm	4
Rope storage 1st layer	m	0,7
Rope storage 4th layer	m	4,9
Rope storage bottom layer	m	13,1
Crank effort at full load	daN	10
Lift per crank rotation	mm	122
A (Dimensions)	mm	168
B	mm	92
C	mm	89
D	Ø mm	35
E	Ø mm	102
F	mm	40,5
G	Ø mm	25
H	mm	132
I	mm	6
J	mm	305
K	mm	168
L	mm	26
M	mm	128
N	mm	65
O	mm	40
P	Ø mm	9 (3×)
Q	max. mm	325
Weight (without rope)	kg	4
PMW-TL...	Order No.	H30310

Ex ATEX version optional



MANUAL ROPE WINCH PMW-TL300-600

This convenient spur gear winch excels by its speed. It is equipped with a load-pressure brake with a double ratchet system and a semi-closed housing. In short, a fine, easy winch!

Standard features:

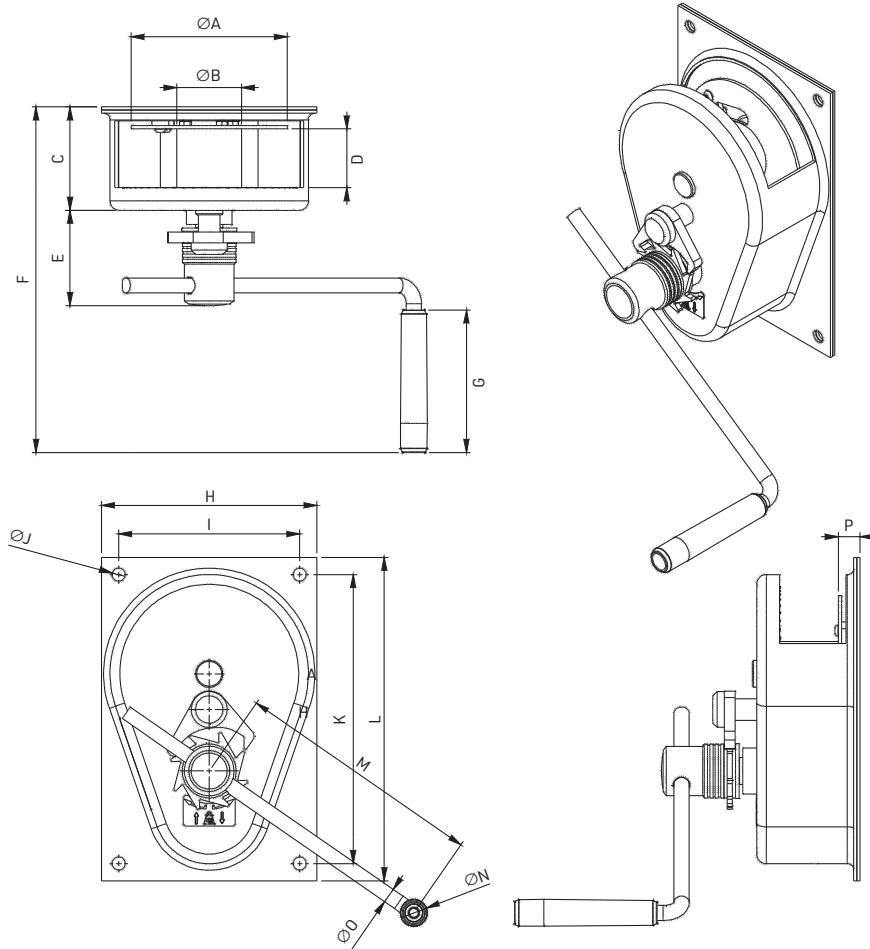
- Robust and safe lifting winch in compliance with EN13157
- Static safety factor 4
- High efficiency due to spur gear transmission
- Maintenance free bearings
- Load pressure brake with double ratchet system for safe stable hold of the load in any position
- Cable outlet upwards
- Adjustable crank, with ergonomic grip
- Suitable for wall mounting
- Simple and quick attachment
- Paint thickness is 60 - 80 micron in 1 layer and in compliance with DIN/ISO 12944, C1M - RAL 7035 (grey)
- Corrosion resistant

Options:

- Zinc-plated finish 6 - 8 micron
- 2 layers of paint (140 - 160 micron)
- ATEX certified zone 2 and 22
CE II 3G Ex IIC T4 Gc, -20°C < T amb < +70°C
CE II 3D Ex IIIC T135°C Dc, -20°C < T amb < +70°C
- Custom options possible - on request

Accessories:

- Steel or stainless steel wire rope
- Pulley block



TYPE	PMW-TL ...	300	600
Capacity 1st layer	kg	300	600
Capacity 4th layer	kg	234	408
Capacity top layer	kg	172	336
Rope diameter- \varnothing	mm	4	6
Rope storage 1st layer	m	2,3	1
Rope storage 4th layer	m	12,5	7
Rope storage bottom layer	m	35,4	12,3
Crank effort at full load	daN	5,5	10
Lift per crank rotation	mm	32	28
A (Dimensions)	\varnothing mm	145	145
B	\varnothing mm	70	60
C	mm	96	96
D	mm	55	55
E	mm	88	88
F	mm	321	321
G	mm	132	132
H	mm	200	200
I	mm	168	168
J	\varnothing mm	12 (4 \times)	12 (4 \times)
K	mm	268	268
L	mm	300	300
M	max. mm	325	325
N	\varnothing mm	25	25
O	\varnothing mm	14	14
P	mm	20	20
Weight (without rope)	kg	10	11
PMW-TL...	Order No.	H30311	H30312

Manual Rope Winch

 ATEX version optional



MANUAL ROPE WINCH PMW-TL1000-1500

This spur gear winch is fast, easy and can be mounted on both walls and floors. The free spool option is therefore also available for this winch. In addition to IP54 water resistance, this winch is also available in stainless steel 304.

Standard features:

- Robust and safe lifting and pulling winch in compliance with EN13157
- Static safety factor 4
- High efficiency due to spur gear transmission
- Protection classification IP54
- Maintenance free bearings
- Load pressure brake with double ratchet system for safe stable hold of the load in any position
- Cable outlet upwards, downwards or at the left
- Closed gearbox to protect against environmental influence
- Adjustable crank, with ergonomic grip
- Suitable for wall and floor mounting
- Simple and quick attachment
- Paint thickness is 60 - 80 micron in 1 layer and in compliance with DIN/ISO 12944, C1M - RAL 7035 (grey)
- Corrosion resistant

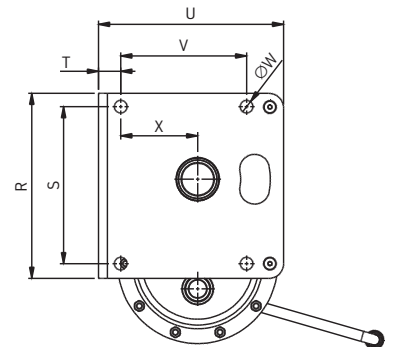
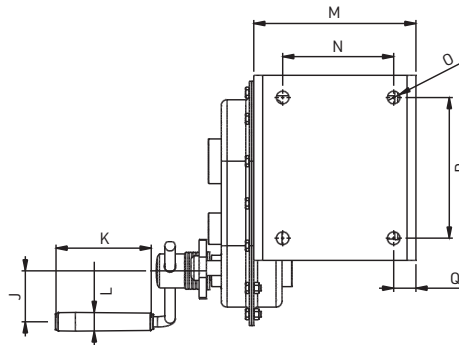
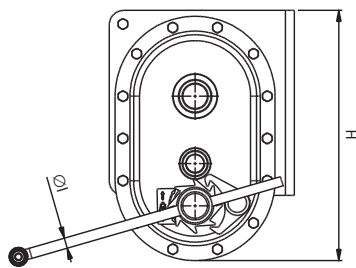
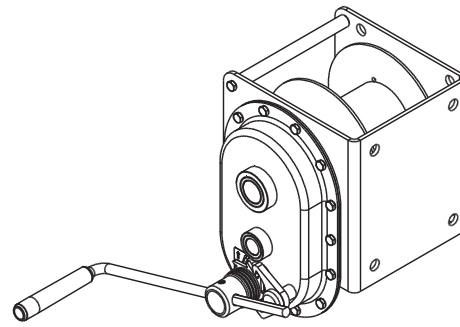
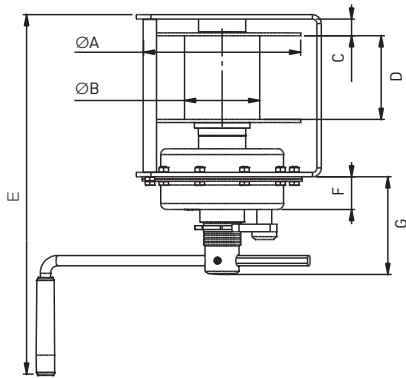
Options:

- Zinc-plated finish 6 - 8 micron
- 2 layers of paint (140 - 160 micron)
- Stainless steel grade 304 (SST304)
- 2 drum compartment
- Free-spooling device for pulling applications. To disengage the drum
- ATEX certified zone 2 and 22
CE II 3G Ex IIC T4 Gc, -20°C < T amb < +70°C
CE II 3D Ex IIIC T135°C Dc, -20°C < T amb < +70°C
- Custom options possible - on request

Accessories:

- Steel or stainless steel wire rope
- Pulley block

Manual Rope Winch



TYPE	PMW-TL ...	1000	1500
Capacity 1st layer	kg	1000	1500
Capacity 4th layer	kg	726	1025
Capacity top layer	kg	614	927
Rope diameter- \varnothing	mm	8	10
Rope storage 1st layer	m	3,5	2,5
Rope storage 4th layer	m	19,5	15,4
Rope storage bottom layer	m	33	21
Crank effort at full load	daN	11	12
Lift per crank rotation	mm	20	14
A (Dimensions)	\varnothing mm	212	212
B	\varnothing mm	102	102
C	mm	22,5	22,5
D	mm	113	113
E	mm	485,5	485,5
F	mm	44	44
G	mm	132	132
H	mm	338	338
I	\varnothing mm	14	14
J	max. mm	350	350
K	mm	128,5	128,5
L	\varnothing mm	25	25
M	mm	219	219
N	mm	150	150
O	\varnothing mm	17	17
P	mm	190	190
Q	mm	30	30
R	mm	250	250
S	mm	212	212
T	mm	30	30
U	mm	250	250
V	mm	170	170
W	\varnothing mm	17	17
X	mm	104	104
Weight (without rope)	kg	27	27,5
PMW-TL...	Order No.	H30313	H30314

PLANETA - Hebetchnik GmbH

Resser Straße 17 · 44653 Herne · Germany · Phone: +49 (0) 2325 9580 0 · Fax: +49 (0) 2325 77077
info@planeta-hebetechnik.de · www.planeta-hebetechnik.de

