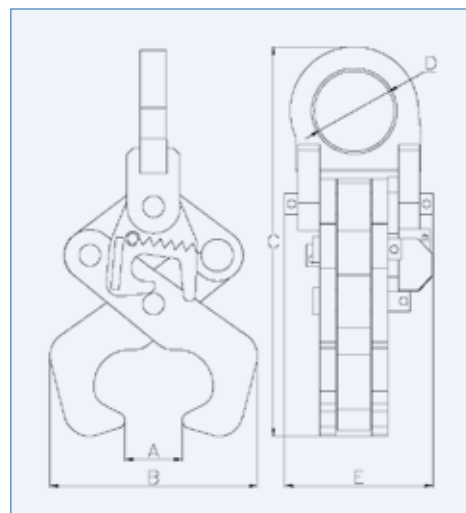




Rail clamp PLANETA RG

Profile lifting clamp for rails or support profiles.
Easy to use due to automatic spring-loaded locking in the open position.



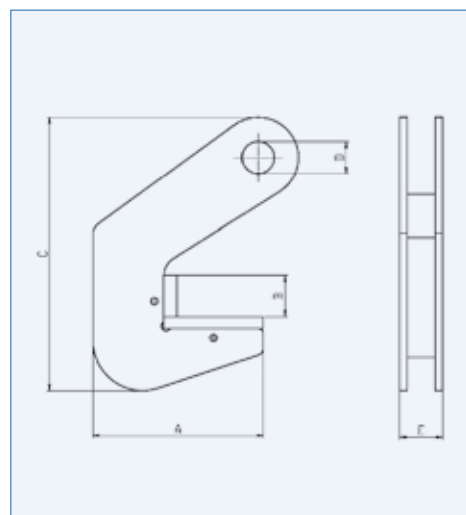
TYPE	Capacity kg	Grip range (A) mm	Dimensions in mm				Weight kg	Order No.
			B	C	D	E		
RG-2	2,000	15 – 85	170	302	60	111	6.2	F00969



Pipe plate clamp PLANETA PPC

Lifting clamp for the horizontal transportation of tubular profiles.
Suitable for diverse materials. Gentle transport of materials due to protective plastic coating on the contact surfaces.
Intended exclusively for use in pairs.

Set consisting of 2 pieces.



TYPE	Capacity (per pair) kg	Grip range (B) mm	Dimensions in mm				Weight kg	Order No.
			A	C	D	E		
PPC-1,5	1,500	40	127	220	27	35	1.5	F00955
PPC-3	3,000	40	142	228	27	35	2.0	F00956
PPC-4	4,000	50	144	228	30	40	2.8	F00957
PPC-6	6,000	50	152	232	30	40	3.2	F00958
PPC-8	8,000	70	155	260	30	42	3.6	F00959