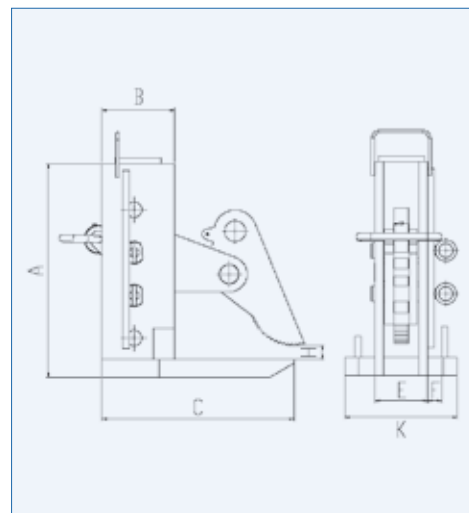




Horizontal plate clamp PLANETA MPC

Lifting clamp for sheet steel packages or multiple positively locked sheets lying on top of each other, with use in pairs as a minimum. Simple adjustment to the required sheet package thickness through height adjustment of the gripper. Produced from tempered steel. Suitable for surfaces up to a hardness of 35 HRC. Observe load reduction depending on working angle.

Set consisting of 2 pieces.

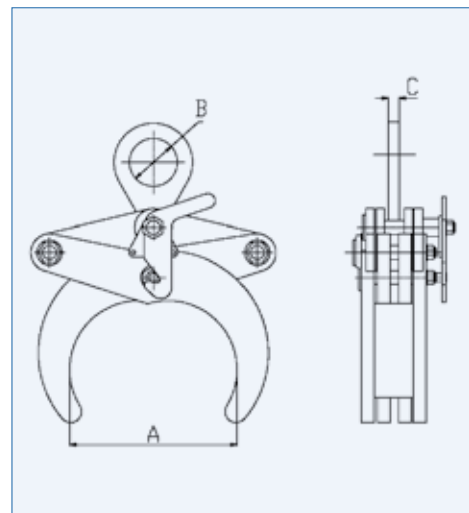


TYPE	Capacity (per pair) kg	Grip range (M) mm	Dimensions in mm						Weight kg	Order No.
			A	B	C	D	E	F		
MPC-3	3,000	0 – 180	300	102	270	74	20	158	19	F00950
MPC-4,5	4,500	0 – 240	420	120	280	74	24	158	26	F00951
MPC-6	6,000	0 – 240	450	123	300	88	28	175	40	F00952
MPC-8	8,000	0 – 240	515	128	310	92	30	200	51	F00953



Round stock grabs PLANETA RTG

Lifting gripper for components with round profiles. Suitable for many materials, e.g. steel, concrete, wood, etc. Easy to apply to the component through possibility of locking in the open position.



TYPE	Capacity kg	Grip range (A) mm	Dimensions in mm			Weight kg	Order No.
			A	B	C		
RTG-0,5	500	50 – 100	100	40	12	3.2	F00963
RTG-1	1,000	50 – 100	100	50	14	4.1	F00964
RTG-2	2,000	80 – 130	130	55	16	16	F00965
RTG-3	3,000	120 – 220	220	60	18	32	F00966
RTG-5	5,000	200 – 320	320	60	18	104	F00967