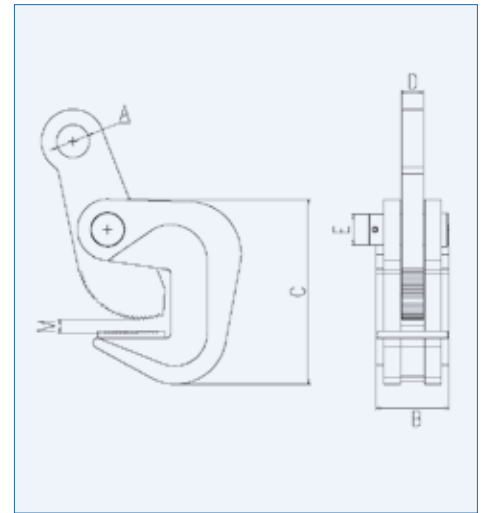




Horizontal plate clamp PLANETA HPC-2

Standard sheet metal lifting clamp for the horizontal transportation of individual sheets through use in pairs as a minimum. Produced from tempered steel. Suitable for surfaces up to a hardness of 35 HRC. Observe load reduction depending on working angle!

Set consisting of 2 pieces.

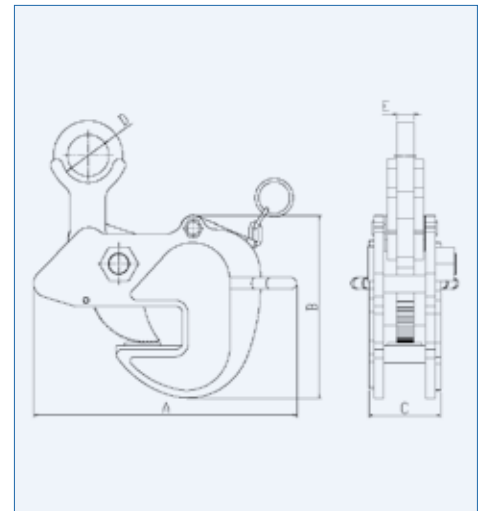


TYPE	Capacity (per pair) kg	Grip range (M) mm	Dimensions in mm					Weight kg	Order No.
			A	B	C	D	E		
HPC-2-1	1,000	0 – 30	25	54	140	14	22	4	F00935
HPC-2-2	2,000	0 – 50	27	62	164	18	25	5.7	F00936
HPC-2-3	3,000	0 – 60	30	69	193	20	27	7.6	F00937
HPC-2-5	5,000	10 – 80	37	73	233	22	28	11.5	F00938
HPC-2-6	6,000	10 – 100	37	81	280	22	30	14.5	F00939

Horizontal plate clamp PLANETA HPC-4

Sheet metal lifting clamp for transporting support profiles or individual metal sheets horizontally and turning these to vertical. Locking through spring pre-tensioning. Simple opening through lifting mechanism with grip ring. Produced from tempered steel. Suitable for surfaces up to a hardness of 35 HRC.

Set consisting of 2 pieces.



TYPE	Capacity (per pair) kg	Grip range (M) mm	Dimensions in mm					Weight kg	Order No.
			A	B	C	D	E		
HPC-4-0,5	500	0 – 25	235	122	54	44	16	3.2	F00944
HPC-4-1	1,000	0 – 25	262	155	60	50	16	5.3	F00945
HPC-4-2	2,000	0 – 30	280	177	72	56	18	7.9	F00946
HPC-4-3	3,000	0 – 38	315	209	88	58	22	10.5	F00947
HPC-4-5	5,000	0 – 40	380	261	104	60	28	27.6	F00948