

PLANETA RKPK

Thanks to its modular design and use of high-strength aluminium components, the **RKPK** aluminium gantry crane can be used in a wide variety of applications in changing assembly areas. Different payloads up to 500 kg and beam spans up to 4 m are available. The use of an appropriate hoist from the extensive **PLANETA** range enables the crane to be optimally equipped for your lifting task. Assembly-friendly individual components enable the crane to be moved quickly to different locations. The standard slewing wheels allow the crane to be easily moved at the installation site, even under load. With approval according to EN 795/A:2012, the **RKPK** can be used as a height safety device for persons.

Features:

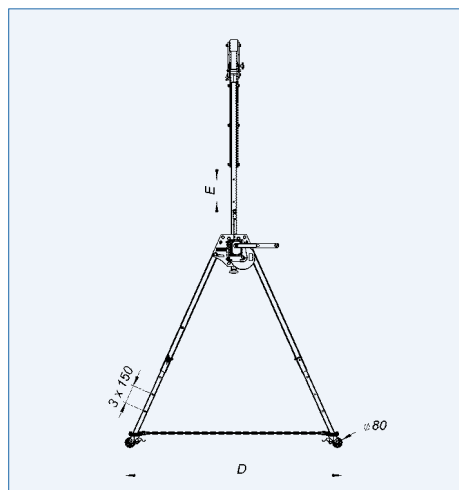
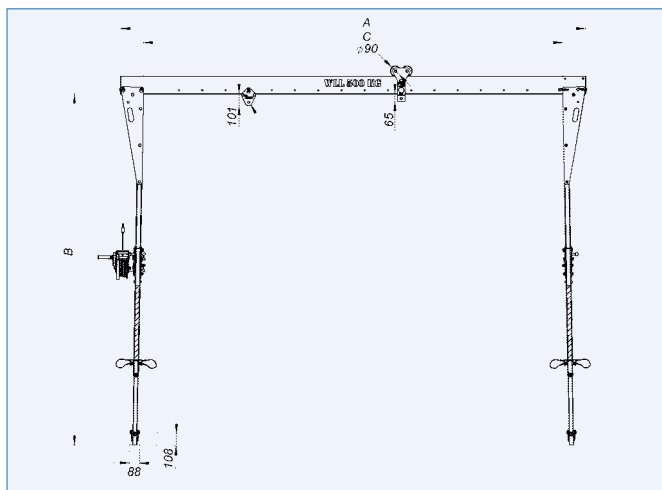
- Capacity: 500 kg
- Beam length: 2 – 4 m
- Wheel set with brakes, 125 mm solid
- Rope roller for beam
- Incl. external manual trolley
- Safety factor for lifting material: 2.1:1
- Safety factor for use for people: 10:1
- Maximum number of persons: 2

Options:

Manual rope which RUP502-ET

- Capacity: 500 kg
- Rope length: 20/25 m

5



TYPE RKPK ...*		2	3	4
Capacity	kg	500	500	500
Beam length (A)	mm	2,000	3,000	4,000
Working span (C)	mm	1,609	2,609	3,609
Support height (min. – max.) (B)	mm	2,074–3,025	2,074–3,025	2,074–3,025
Leg spacing (min. – max.) (D)	mm	1,364–1,730	1,364–1,730	1,364–1,730
Grid steps (height) (E)	mm	180	180	180
Weight	kg	49	53	57
Order No.		J00836	J00837	J00838

* Combinations with manual chain hoist, electric chain hoist and power supply possible on request.



MAX. 2 PERSONS



EN 795/A:2012
CEN/TS 16415/A:2013