

PLANETA RAPK

Thanks to its modular design and use of highstrength aluminium components, the **RAPK** aluminium gantry crane can be used in a wide variety of applications in changing assembly areas. Different payloads up to 3,500 kg and beam spans up to 7 m are available. The use of an appropriate hoist from the extensive **PLANETA** range enables the crane to be optimally equipped for your lifting task. Assemblyfriendly individual components enable the crane to be moved quickly to different locations. The standard slewing wheels allow the crane to be easily moved at the installation site, even under load. With approval according to EN 795/A:2012, the **RAPK** can be used as a height safety device for persons.

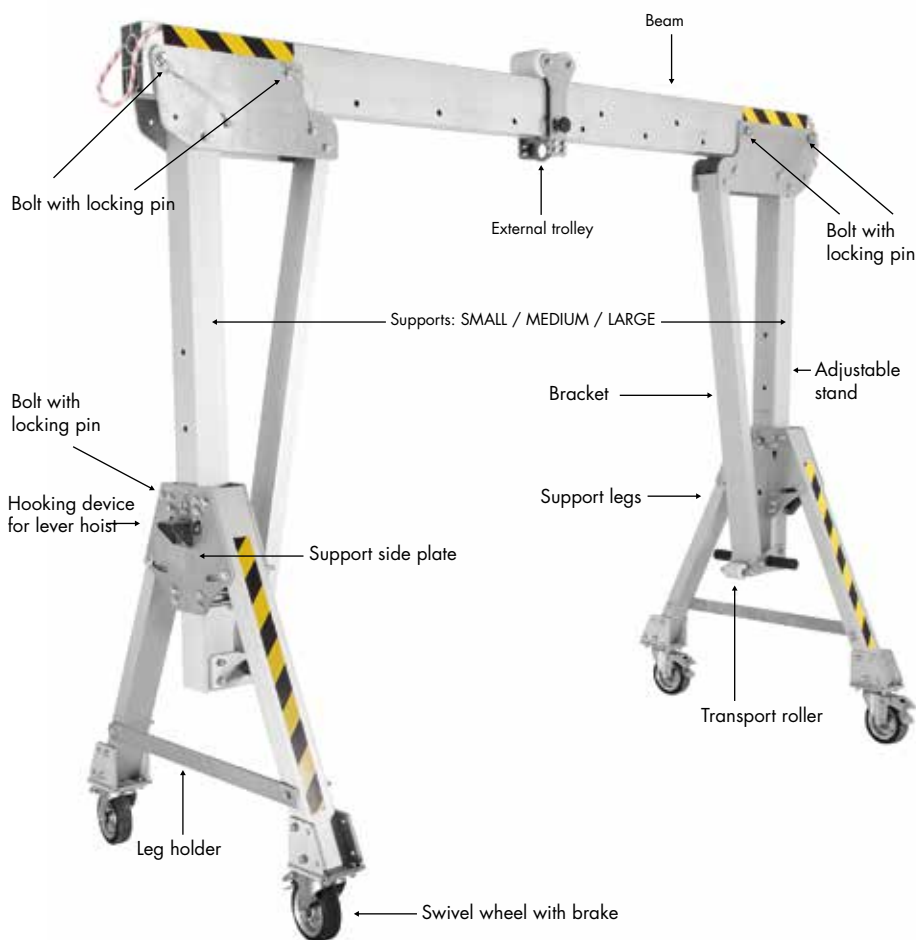
Features:

- Capacity: 1,500 – 3,500 kg
- Beam length: 2 – 7 m
- Support height: three standard types Small / Medium / Large
- Wheel set with brakes, 160 mm solid tyres for general use
- Rope roller for beam
- Transport trolley for beam
- 2 x locking pin for manual trolley
- Incl. manual trolleys for material transport and passenger transport
- Safety factor for lifting material: 2.1:1
- Safety factor for use for people: 10:1
- Maximum number of persons: 5

Options:

- Manual rope winch for material transport
- Manual rope winch for passenger transport
- Transport trolley for beams
- 2 x safety pins for manual trolley

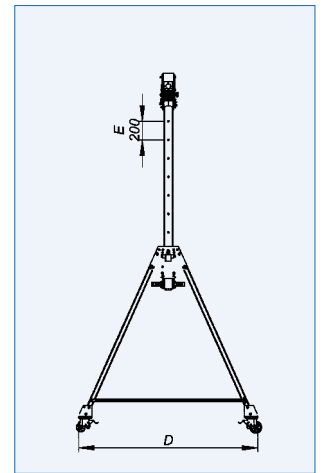
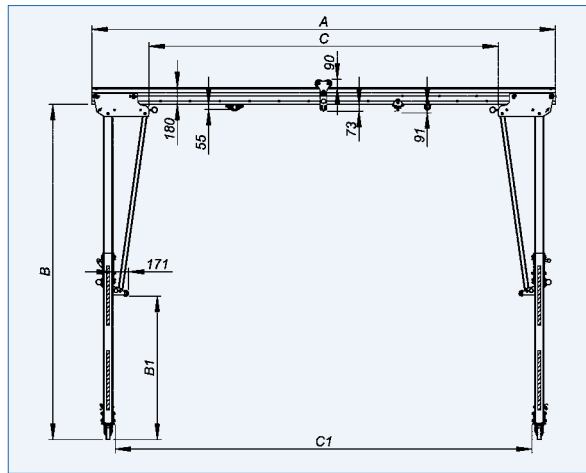
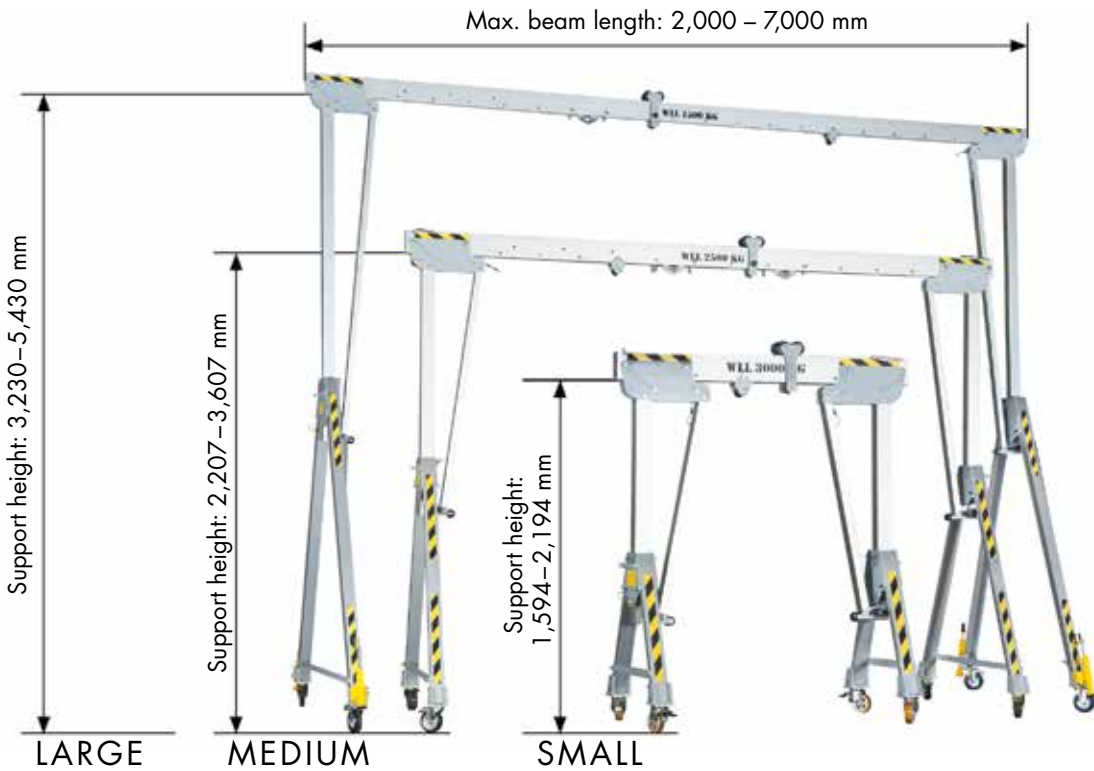
5



MAX. 5 PERSONS



EN 795/A:2012
CEN/TS 16415/A:2013



TYPE RAPK-S- ... / RAPK-M- ... / RAPK-L- ...**		2	3	4	5	6	7
Capacity	S	3,500 *	3,500 *	3,000	2,500	2,000	1,500
	M	3,000	3,000	3,000	2,500	2,000	1,500
	L	3,000	3,000	3,000	2,500	2,000	1,500
Longueur de poutre (A)	mm	2,000	3,000	4,000	5,000	6,000	7,000
Beam length (C)	mm	770	1,770	2,770	3,770	4,770	5,770
Working span (C1)	mm	1,496	2,496	3,496	4,496	5,496	6,496
Support height (min.–max.) (B)	S	1,594–2,194	1,594–2,194	1,594–2,194	1,594–2,194	1,594–2,194	1,594–2,194
	M	2,207–3,607	2,207–3,607	2,207–3,607	2,207–3,607	2,207–3,607	2,207–3,607
	L	3,230–5,430	3,230–5,430	3,230–5,430	3,230–5,430	3,230–5,430	3,230–5,430
Under roller height (min.–max.) (B1)	S	34–634	34–634	34–634	34–634	34–634	34–634
	M	141–1,541	141–1,541	141–1,541	141–1,541	141–1,541	141–1,541
	L	164–2,364	164–2,364	164–2,364	164–2,364	164–2,364	164–2,364
Leg spacing (D)	S	1,115	1,115	1,115	1,115	1,115	1,115
	M	1,928	1,928	1,928	1,928	1,928	1,928
	L	2,834	2,834	2,834	2,834	2,834	2,834
Grid steps (height) (E)	mm	200	200	200	200	200	200
Weight	S	103	116	129	143	156	170
	M	127	140	154	167	180	194
	L	170	184	197	210	224	237
Order No. Small		J00800	J00801	J00802	J00803	J00804	J00805
Order No. Medium		J00806	J00807	J00808	J00809	J00810	J00811
Order No. Large		J00812	J00813	J00814	J00815	J00816	J00817

* upon request ** Combinations with manual chain hoist, electric chain hoist and power supply possible on request.