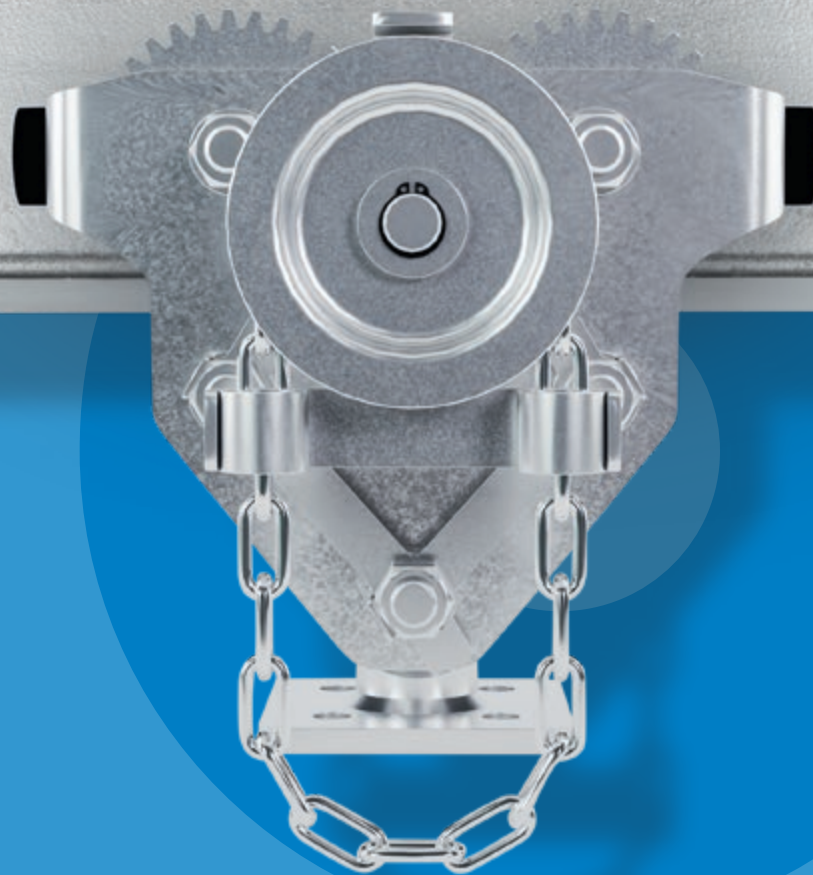




PLANETA

Hoists and winches since 1861



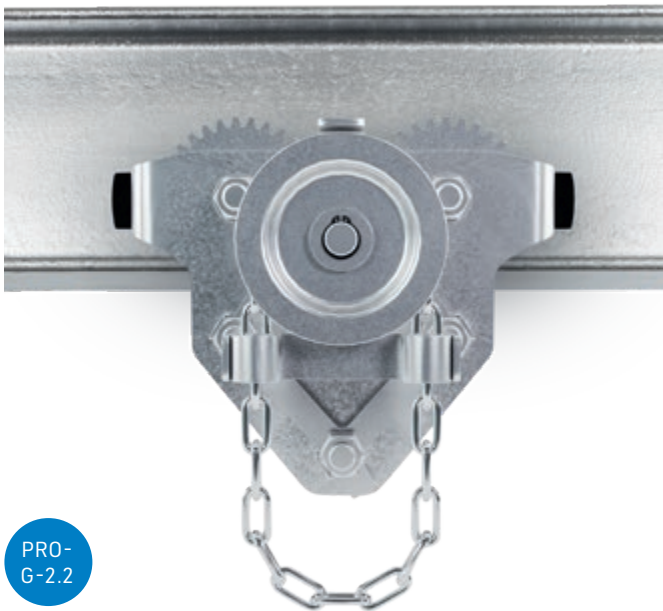
PUSH TROLLEY
GEAR TYPE TROLLEY
PRO



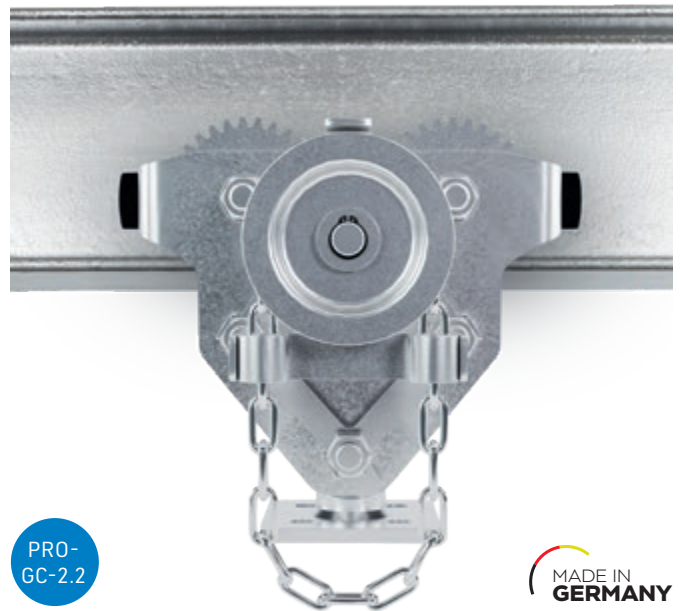
PRO-H-2.2



PRO-HC-2.2



PRO-G-2.2



PRO-GC-2.2



TROLLEYS | PRO

Our most adaptable trolley series!

PRO trolleys are "Made in Germany" and suitable for demanding lifting processes with manual or motorized hoists.

Designed as roller and reel trolleys, they can be optionally extended with our crane joint mounts, block and tackle or chain hoists to create efficient crane systems. The simple replacement of spacers on the bolts enables the trolleys to be precisely adjusted on almost all steel girders.

The high-quality workmanship made of robust and galvanized steel ensures durability and high corrosion resistance.

Technical data:

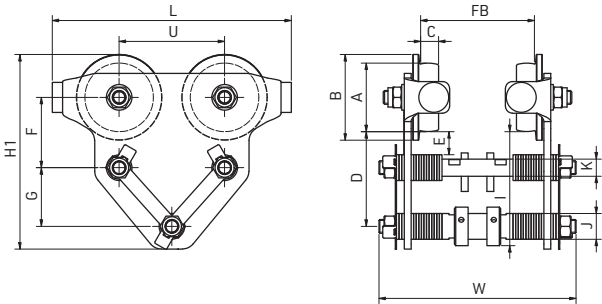
- 5 sizes, load capacities from 500 kg to 5,500 kg
- Up to 4 flange width ranges per size
- Single-flange wheels with 2RS deep-groove ball bearings, for straight and angled steel profiles
- Rubber bumpers
- Fall and climbing protection

- Infinitely adjustable load suspension centering

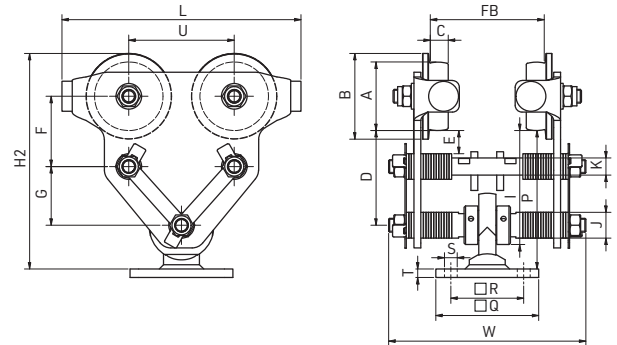
Special versions on request:

- Electric/ rack and pinion/ curved trolleys
- NIROSTA version
- Higher load capacities up to 20,000 kg

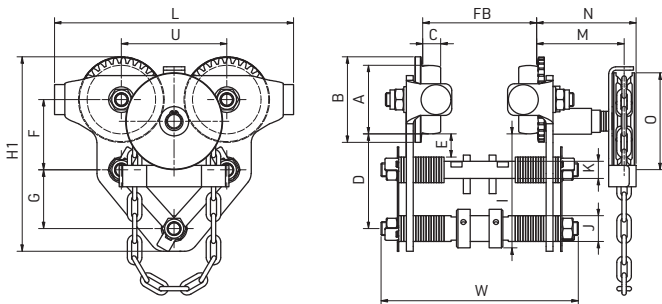
PRO-H



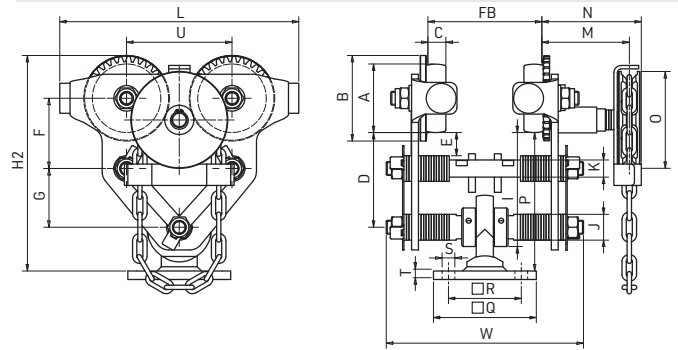
PRO-HC



PRO-G



PRO-GC



TYPE	PRO-H- / -HC- / -G- / -GC- ...	0.5	1.1	2.2	3.3	5.5
Capacity	kg	500	1,100	2,200	3,300	5,500
Flange width FB1 min. - max.	mm	55 - 100	55 - 100	70 - 130	90 - 150	100 - 160
Flange width FB2 min. - max.	mm	100 - 150	100 - 150	130 - 180	150 - 200	160 - 210
Flange width FB3 min. - max.	mm	-	150 - 200	180 - 240	200 - 250	210 - 260
Flange width FB4 min. - max.	mm	-	200 - 250	240 - 300	250 - 300	260 - 310
Min. curve radius	m	1	1.5	1.6	2	2.9
Hand chain operation length PRO-G/GC	m	2.5	2.5	2.5	2.5	2.5
A - E	∅ mm / mm / mm / mm / mm	45 / 60 / 15 / 70 / 15	60 / 75 / 17 / 89 / 20	80 / 100 / 21 / 111 / 27	100 / 120 / 24 / 132 / 35	125 / 150 / 28 / 155 / 38
F - G	mm	48 / 45	62 / 57	82 / 69	104 / 79	122 / 93
H1 (FB1 + 2) / (FB3 + 4)	mm	139 / -	176 / 179	223 / 229	270 / 274	324 / 327
H2 (FB1 + 2) / (FB3 + 4)	mm	-	201 / 207	252 / 262	303 / 311	361 / 369
I (FB1 + 2) / (FB3 + 4)	mm	86 / -	109 / 111	133 / 139	160 / 164	186 / 190
J (FB1 + 2) / (FB3 + 4)	∅ mm	20 / -	25 / 30	30 / 35	35 / 40	40 / 45
K - O	∅ mm / mm / mm / ∅ mm	12 / 171 / - / -	15 / 218 / 107 / 120 / 94	20 / 179 / 104 / 118 / 113	25 / 328 / 109 / 122 / 143	30 / 402 / 133 / 145 / 176
P (FB1 + 2) / (FB3 + 4)	mm	-	134 / 140	162 / 172	193 / 201	224 / 232
Q - T	mm	Plate dimensions of the crane joint mount (optionally available) depend on the crane bridge profile. Dimension definition on request / order.				
U	mm	75	99	123	144	174
W (FB1) / (FB2) / (FB3) / (FB4)	mm	165 / 215 / - / -	180 / 230 / 285 / 335	230 / 280 / 340 / 400	275 / 320 / 370 / 420	315 / 355 / 405 / 455
Net weight PRO-H (FB1 / FB2 / FB3 / FB4)	kg	3.1 / 3.5 / - / -	6.1 / 6.4 / 7.1 / 7.5	12.4 / 13.0 / 13.9 / 14.7	22.4 / 23.2 / 24.5 / 25.4	41.4 / 42.5 / 44.1 / 45.3
Net weight PRO-HC (FB1 / FB2 / FB3 / FB4)	kg	-	PRO-H +1.2 kg	PRO-H +1.2 kg	PRO-H +1.2 kg	PRO-H +1.2 kg
Net weight PRO-G (FB1 / FB2 / FB3 / FB4)	kg	-	8.8 / 9.1 / 9.8 / 10.2	15.2 / 15.8 / 16.7 / 17.5	25.6 / 26.4 / 27.7 / 28.6	45.3 / 46.4 / 48.0 / 49.2
Net weight PRO-GC (FB1 / FB2 / FB3 / FB4)	kg	-	PRO-G +1.2 kg	PRO-G +1.2 kg	PRO-G +1.2 kg	PRO-G +1.2 kg
PRO-H FB1	Order No.	G51101	G51111	G51121	G51131	G51141
PRO-H FB2	Order No.	G51102	G51112	G51122	G51132	G51142
PRO-H FB3	Order No.	-	G51113	G51123	G51133	G51143
PRO-H FB4	Order No.	-	G51114	G51124	G51134	G51144
PRO-HC FB1 incl. crane joint mount	Order No.	-	G51111 + G58011	G51121 + G58021	G51131 + G58031	G51141 + G58041
PRO-HC FB2 incl. crane joint mount	Order No.	-	G51112 + G58012	G51122 + G58022	G51132 + G58032	G51142 + G58042
PRO-HC FB3 incl. crane joint mount	Order No.	-	G51113 + G58013	G51123 + G58023	G51133 + G58033	G51143 + G58043
PRO-HC FB4 incl. crane joint mount	Order No.	-	G51114 + G58014	G51124 + G58024	G51134 + G58034	G51144 + G58044
PRO-G FB1	Order No.	-	G51211	G51221	G51231	G51241
PRO-G FB2	Order No.	-	G51212	G51222	G51232	G51242
PRO-G FB3	Order No.	-	G51213	G51223	G51233	G51243
PRO-G FB4	Order No.	-	G51214	G51224	G51234	G51244
PRO-GC FB1 incl. crane joint mount	Order No.	-	G51211 + G58011	G51221 + G58021	G51231 + G58031	G51241 + G58041
PRO-GC FB2 incl. crane joint mount	Order No.	-	G51212 + G58012	G51222 + G58022	G51232 + G58032	G51242 + G58042
PRO-GC FB3 incl. crane joint mount	Order No.	-	G51213 + G58013	G51223 + G58023	G51233 + G58033	G51243 + G58043
PRO-GC FB4 incl. crane joint mount	Order No.	-	G51214 + G58014	G51224 + G58024	G51234 + G58034	G51244 + G58044
Add. operator length hand chain per m	Order No.	on request	on request	on request	on request	on request

More capacities on request!

PLANETA - Hebetchnik GmbH

Resser Straße 17 · 44653 Herne · Germany · Phone: +49 (0) 2325 9580 0 · Fax: +49 (0) 2325 77077
info@planeta-hebetechnik.de · www.planeta-hebetechnik.de

