



PSW-L-1D (picture shows options)

Pneumatic winch PSW-L-Series

For pneumatic winch applications, demanding a modular and solid design, this range of explosion proof winches provides the solution.

The use of vane type motors in combination with a self-braking worm gearbox ensures trouble free operation and low maintenance requirements without the need of an additional brake. These winches find their use in general industry, oil and gas exploration and in many places where compact, explosion proof hoisting gear is required. Because of the modular design of the PSW winch it can be delivered with advantageous delivery times. Upon request faster or slower rope speeds are available.

Standard features

- Self-braking worm gearbox
- Low maintenance vane air motor
- Steel drum (not grooved) with cable fixing point at flange
- Two drum supports
- Double layer 2 component conservation, colour RAL 5010

Available options

- Manual disengaging clutch
- Grooved drum
- Drum pressure roller
- Alternative speedst
- Alternative drum dimensions / split drums / additional rope anchors / etc.
- Drum guard
- Marine- / offshore coating systems
- Proportional control valve, local or remote
- Pneumatic limit switch
- Pneumatic slack wire switch

Classification

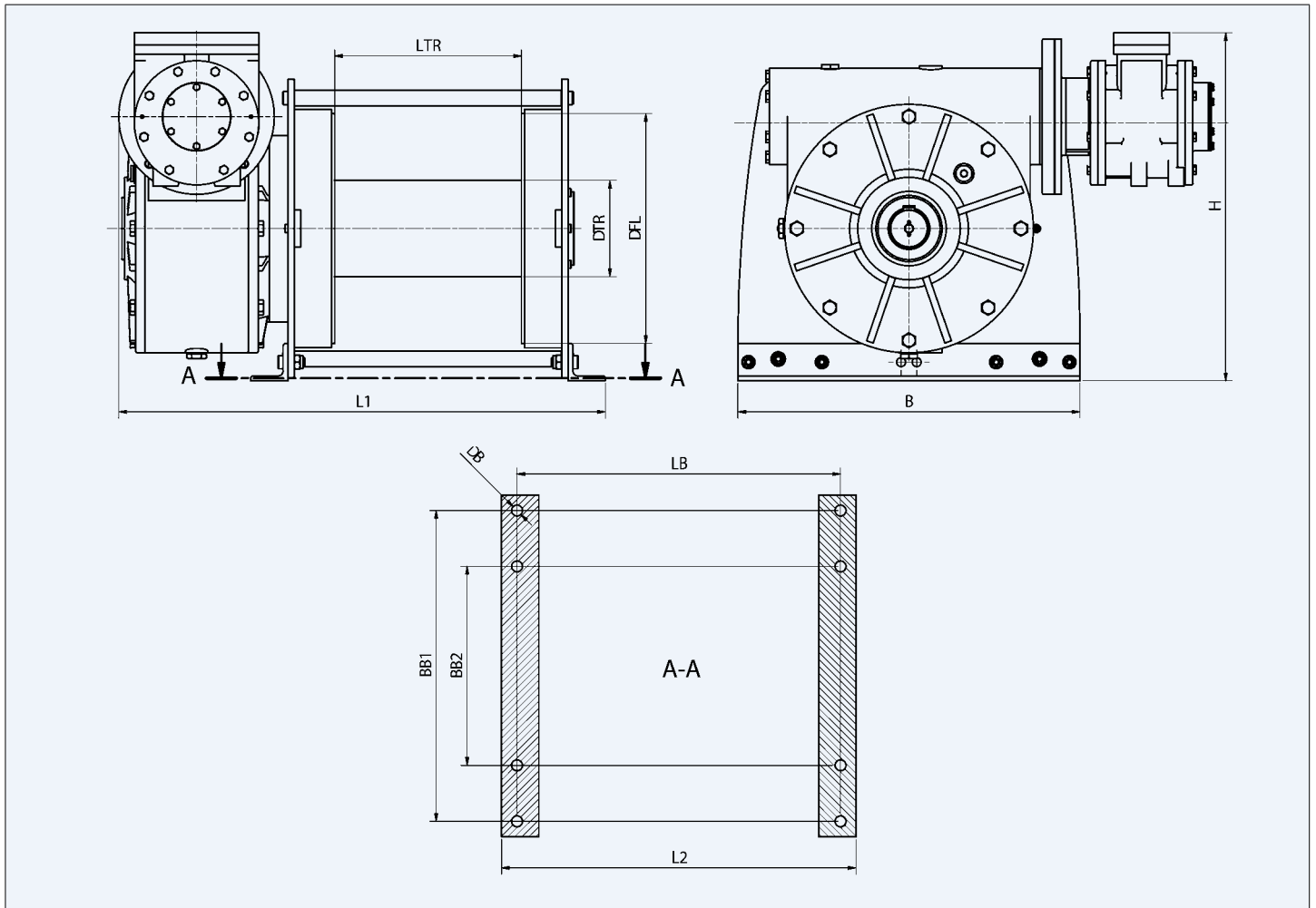
II 2 GD c T4 135°C

Also available in hydraulic version!



TYPE	PSW-L-1D ...	250	500	750	1000	1500	2000
Lifting capacity in 1st rope layer	kg	250	500	750	1,000	1,500	2,000
Lifting capacity in 5th rope layer	kg	160	320	480	640	950	1,270
Rope diameter	mm	11	6	7	8	10	12
Rope length in 1st rope layer	m	75	11	11	10	10	9
Rope length in 5th rope layer	m	75	75	75	75	75	75
Expansion every 100 mm extended drum 1st/5th layer	approx. m	4/25	4/25	4/25	4/25	4/25	4/25
Rope speed in 1st rope layer	approx. m/min	8	8	8	8	8	8
Rope speed in 5th rope layer	approx. m/min	12	12	12	12	12	12
Air pressure	bar	6	5	6	6.5	6	5
Air consumption	l/min	35	45	80	90	120	190
PSW-L-1D ... with standard speed	Order No.	H64601	H64611	H64621	H64631	H64641	H64651

TYPE	PSW-L-2D ...	250	500	750	1000	1500	2000
Lifting capacity in 1st rope layer	kg	125	250	375	500	750	1,000
Rope diameter	mm	5	6	7	8	10	12
Rope length in 1st rope layer	m	20	20	20	20	19	18
Expansion every 100 mm extended drum 1st/5th layer	approx. m	7	7	7	7	7	7
Rope speed in 1st rope layer	approx. m/min	15	15	15	15	15	15
Air pressure	bar	6	5	6	6.5	6	5
Air consumption	l/min	35	45	80	90	120	190
PSW-L-2D ... with standard speed	Order No.	H64701	H64711	H64721	H64731	H64741	H64751



Dimensions and weights

TYPE	PSW-L-1D ... / PSW-L-2D ...	250	500	750	1000	1500	2000
L1	approx. mm	552	563	624	667	707	782
L2	mm	460	460	460	500	500	570
B	mm	270	320	360	400	460	550
H	approx. mm	234	283	368	410	485	560
LTR	mm	300	300	300	300	300	300
DTR 1D/2D	mm	65/130	80/160	92/185	105/210	130/260	155/310
DFL	mm	155	190	220	250	310	370
LB	mm	430	430	430	460	520	520
BB1	mm	220	250	310	350	410	500
BB2	mm	-	-	-	220	280	320
DB	mm	13.5	13.5	13.5	13.5	13.5	17.5
Weight	approx. kg	35	50	88	120	172	250