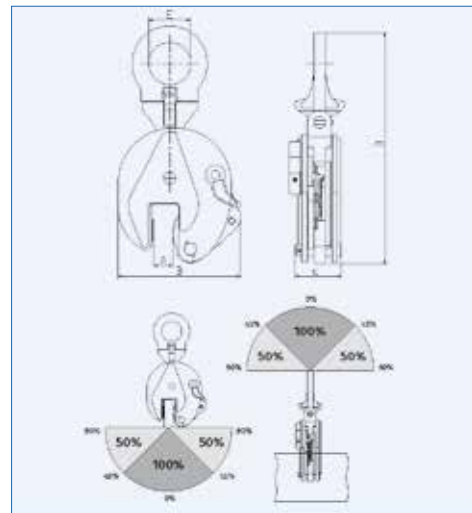




## Vertical plate clamp PLANETA SLC

With hinged support ring to enable metal sheets and steel plates to be lifted, turned and transported in all directions. With a little more freedom! Produced from tempered steel. Suitable for surfaces up to a hardness of 35 HRC. Observe load reduction depending on working angle!

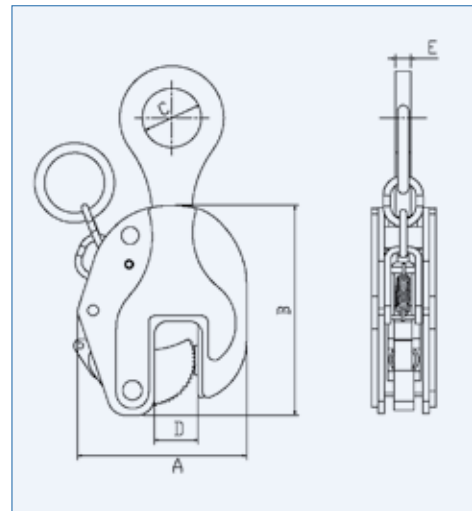


| TYPE           | Capacity<br>kg | Grip range<br>(M)<br>mm | Dimensions in mm |     |     |     |    | Weight<br>approx. kg | Order No.     |
|----------------|----------------|-------------------------|------------------|-----|-----|-----|----|----------------------|---------------|
|                |                |                         | A                | B   | C   | D   | E  |                      |               |
| <b>SLC-0,5</b> | 500            | 0 – 15                  | 15               | 103 | 36  | 212 | 30 | 2                    | <b>F00050</b> |
| <b>SLC-1</b>   | 1,000          | 0 – 20                  | 20               | 145 | 60  | 290 | 50 | 4                    | <b>F00051</b> |
| <b>SLC-2</b>   | 2,000          | 0 – 25                  | 25               | 175 | 65  | 375 | 68 | 8                    | <b>F00052</b> |
| <b>SLC-3</b>   | 3,000          | 0 – 30                  | 30               | 232 | 90  | 425 | 75 | 15                   | <b>F00053</b> |
| <b>SLC-5</b>   | 5,000          | 0 – 50                  | 50               | 215 | 102 | 480 | 68 | 21                   | <b>F00054</b> |



## Vertical plate clamp PLANETA VLC

The standard lifting clamp to lift sheet steel vertically and turn it. The sheet gripper has a safety lock. Fast clamp opening thanks to practical grip ring. Very robust design! Produced from tempered steel. Suitable for surfaces up to a hardness of 35 HRC. Observe load reduction depending on working angle!



| TYPE         | Capacity<br>kg | Grip range<br>(M)<br>mm | Dimensions in mm |     |    |    |    | Weight<br>kg | Order No.     |
|--------------|----------------|-------------------------|------------------|-----|----|----|----|--------------|---------------|
|              |                |                         | A                | B   | C  | D  | E  |              |               |
| <b>VLC-1</b> | 1,000          | 0 – 22                  | 124              | 158 | 50 | 30 | 14 | 3.6          | <b>F00001</b> |
| <b>VLC-2</b> | 2,000          | 0 – 30                  | 154              | 190 | 54 | 40 | 16 | 5.5          | <b>F00002</b> |
| <b>VLC-3</b> | 3,000          | 0 – 40                  | 180              | 230 | 60 | 50 | 18 | 10           | <b>F00003</b> |
| <b>VLC-5</b> | 5,000          | 0 – 50                  | 222              | 283 | 68 | 62 | 18 | 17           | <b>F00004</b> |
| <b>VLC-8</b> | 8,000          | 0 – 60                  | 265              | 310 | 65 | 71 | 22 | 26           | <b>F00008</b> |