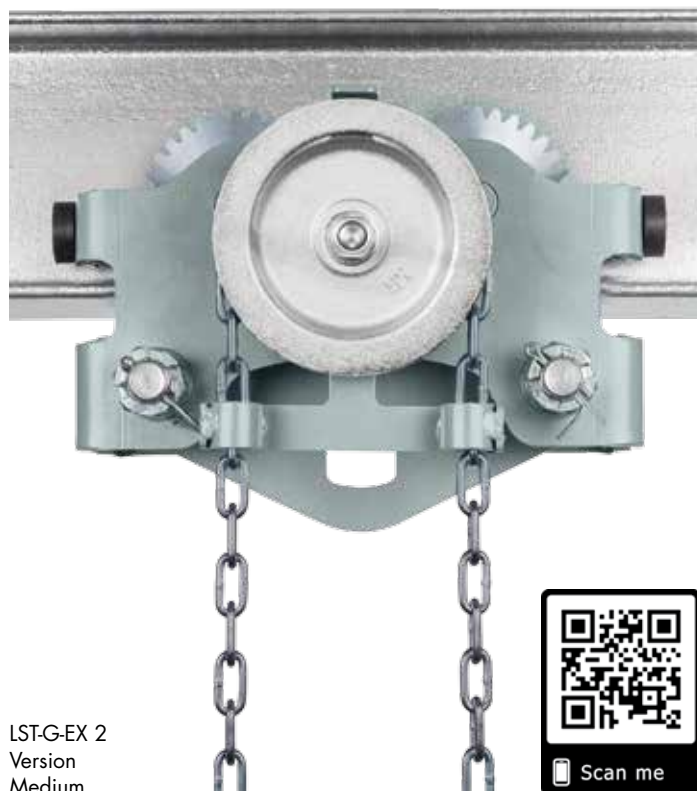




LST-H-EX 0.5
Version
Medium



LST-G-EX 2
Version
Medium



LST-Trolleys

LST-trolleys are manufactured in a higher quality for a very rough and unusual use. The chain hoist PREMIUM PRO of the same capacity as the trolley fit easily into the lugs with their top hook, but these LST-trolleys are best combined with PREMIUM PRO. Trolleys have **rubber buffers** at both sides!

Wide adjustment for any flange width

Discs of different thicknesses are on the carrying bolts that allow to make the distance between side plates shorter or longer by exchanging them from outside to inside.

There are two main bolt lengths. The standard bolts are adjustable for normal width. Bolts of size 2 offer more possibilities up to beam flange sizes on HE-B-beams with 300 mm width. Prefer this when unclear for what kind of work you will use them.

Double safety

Climb stop on both side of the beam flange hinders the trolley to climb up the beam and prevents from falling down. Right angled side plates work as wheel shaft breakage protection, falling down protection and beam flange cleaner.

Sturdy side plates

The load is balanced by two carrying bolts on all four wheels because the castle nuts tie only one side. This gives the bolts a bit of tolerance for movement and equalizes improper beam flanges.

EX-protected version

For EX-protection applications, specially treated stainless steel wheels and hand chains are available as an alternative, which makes the trolleys suitable for EX areas up to **Ex-zone 1 II 2 G IIC T4**.

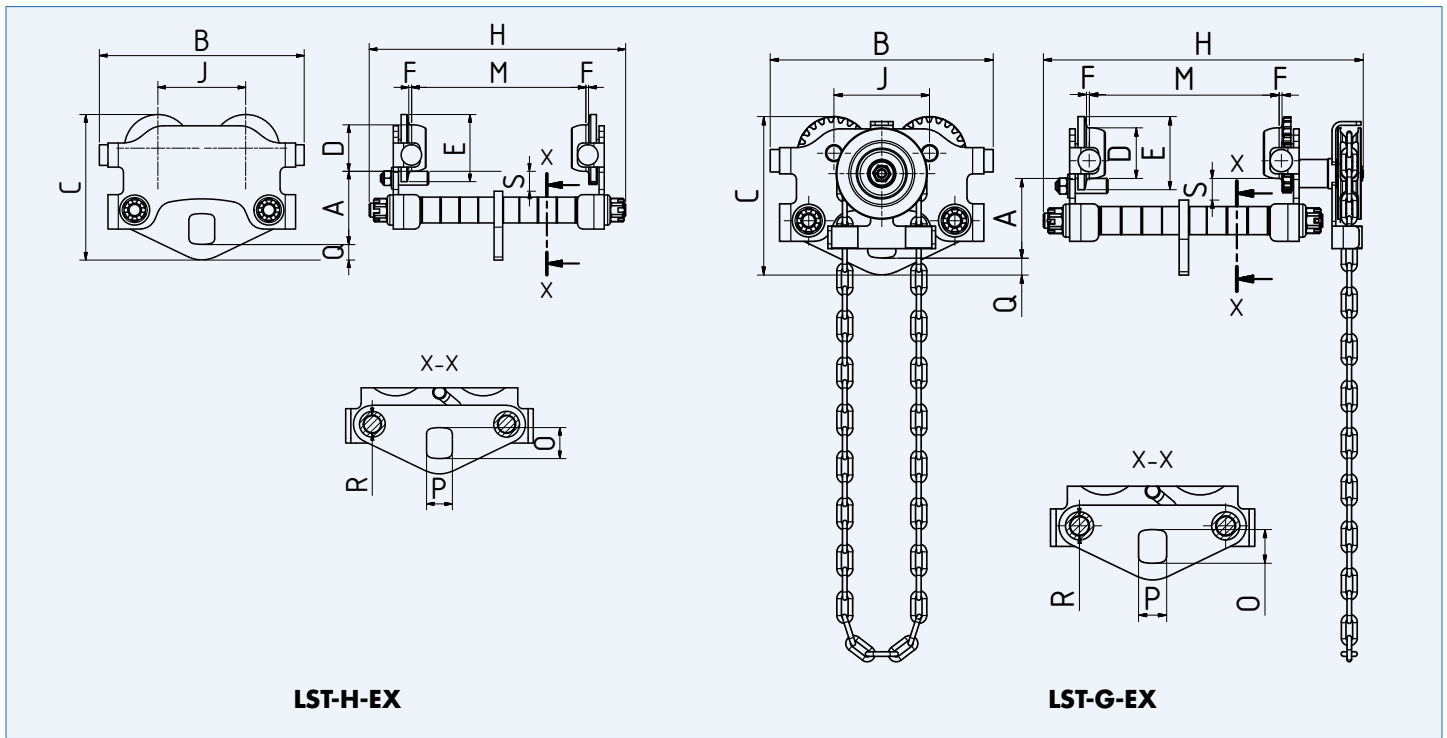
The trolleys comply with the ATEX 2014/34/EU directive.

Types:

LST-H-EX = Push trolley

LST-G-EX = Gear type trolley

The trolleys shown are designed for use with manual hoists.



LST-H-EX

LST-G-EX

TYPE	Push trolley LST-H-EX ...	0.5	1	2	3	5	10	-
TYPE	Gear type trolley LST-G-EX ...	0.5	1	2	3	5	10	20
Capacity	kg	500	1,000	2,000	3,000	5,000	10,000	20,000
Flange width M min. - max.	mm	50 - 203	64 - 203	88 - 203	100 - 203	114 - 203	124 - 203	136 - 203
Min. curve radius	m	0.85	1	1.1	1.3	1.4	2	on request
Hand chain operation length LST-G	m	2.5	2.5	2.5	2.5	2.5	2.5	2.5
Reel path for 1 m path LST-G	m	2.96	3.63	4.65	5.66	6.34	7.98	10.63
A (Dimensions)	mm	85	103	115	125	143	187	250
B	mm	238	288	338	390	472	476	564
C	mm	169	207	237	271	307	381	514
D	mm	54	67	80	100	109	133	170
E	mm	78	96	111	133.5	145	176	228
F	mm	3	3	3	4	4	4	4
H (LST-H-EX ...)	mm	298	314	325	355	381	388	-
H (LST-G-EX ...)	mm	342	363	374	403	428	445	498
J	mm	102	112	131	153	168	194	234
O	mm	36	40	48	54	66	80	130
P	mm	30	36	40	46	52	64	100
Q	mm	18	22	26	29	37	40	65
R	mm	Ø 20	Ø 24	Ø 29	Ø 34	Ø 39	Ø 44	Ø 59
S	mm	23	24	28	26	28	50	55
Net weight LST-H-EX ...	kg	9	14	22	36	55	86	-
Net weight LST-G-EX ...	kg	11	16	24	39	59	89	190
Version Basic: LST-H-EX ...	Order No.	G20400	G20401	G20402	G20403	G20404	G20405	-
Version Medium: LST-H-EX ...	Order No.	G20410	G20411	G20412	G20413	G20414	G20415	-
Version High: LST-H-EX ...	Order No.	G20420	G20421	G20422	G20423	G20424	G20425	-
Version Basic: LST-G-EX ... with 2.5 m operation length	Order No.	G20430	G20431	G20432	G20433	G20434	G20435	G20436
Version Medium: LST-G-EX ... with 2.5 m operation length	Order No.	G20440	G20441	G20442	G20443	G20444	G20445	G20446
Version High: LST-G-EX ... with 2.5 m operation length	Order No.	G20450	G20451	G20452	G20453	G20454	G20455	G20456
Add. hand chain operation length/m (Basic/Medium)	Order No.	G20017	G20017	G20017	G20017	G20017	G20017	G20017
Add. hand chain operation length/m (High)	Order No.	G20520	G20520	G20520	G20520	G20520	G20520	G20520
Larger flange width min. - max.	mm	50 - 305	64 - 305	68 - 305	100 - 305	114 - 305	124 - 305	136 - 305
	Order No.	G20090	G20091	G20093	G20094	G20095	G20097	G20099
Position lock device	Order No.	G20521	G20522	G20524	G20525	G20526	G20527	G20528
Extended handwheel shaft	Order No.	G20529	G20530	G20531	G20532	G20533	G20534	G20535

More capacities upon request.