



Serie 820

Hose reel series 820

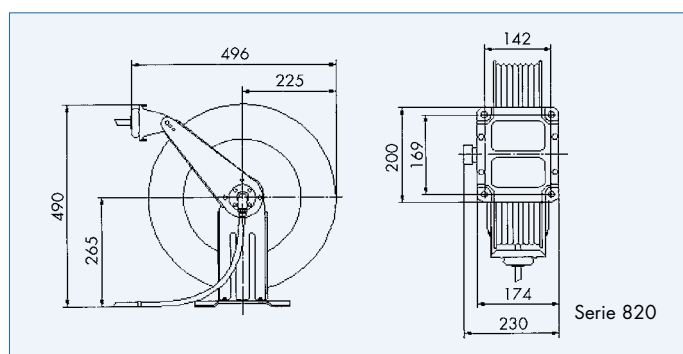
Due to the exceptionally robust and galvanised double steel frame, the series 820 is used primarily in areas where the hoses need to be unreeled and reeled fairly continuously. The drum is made of powder-coated steel, guaranteeing a long service life.

Here too, the spring has lifetime lubrication and requires no maintenance.

The flexible hose extension arm with four guide rollers also creates various assembly options. The reel is equipped as standard with a rubber hose, suitable for up to 100°C.

TYPE	Fitting inch	Nominal size of hose DN	Length m	Pressure max. bar	Medium	Weight approx. kg	Order No.
L - 820-153	3/8"	9	15	20	Air & Water	17.2	G40040
L - 820-154	1/2"	12	15	20	Air & Water	20	G40041

Other versions and hose lengths available on request!



Serie 820

Options for series 808, 809, 820	Material	Order No.
Swivel plate for wall mounting – serie 808	Steel	G40010
Swivel plate for wall mounting – serie 809	Steel	G40046
Swivel plate for wall mounting – serie 820	Steel	G40047



Wall mounting

