



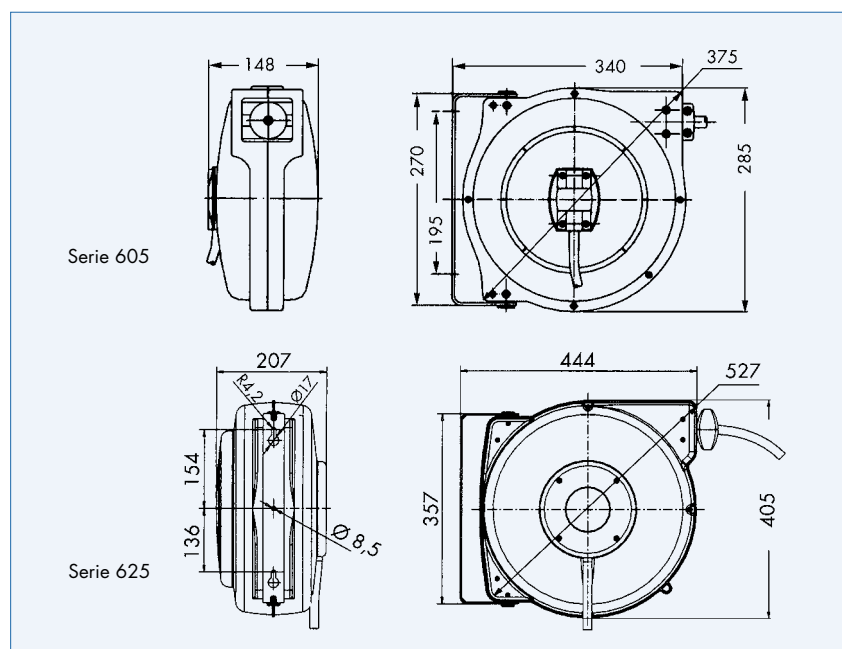
Your benefits at a glance:

- Safety:** There are no longer any hoses on the ground as potential trip hazards.
- Service life:** The cables and hoses last longer because they are reeled up neatly
- Time-saving:** The cables or hoses do not need to be unrolled painstakingly, untangled and then later rolled back up by hand again.
- Professional:** With cable reels, all workplaces become more efficient, tidier and less cluttered.
- Versatile:** Hose reels can be supplied for compressed air, low-pressure and high-pressure water, oil and grease delivery. Cable reels rated for 230 V!
- Zero maintenance:** They are made entirely of plastic or metal and, under normal working conditions, they require no maintenance.
- Comfort** Only the required length of hose or cable is pulled out, and it is then retracted automatically once work is finished.
- Productive:** The tools are always close to hand.



Cable reels series CR605 and CR625

The automatic PLANETA cable reels make your business even safer and more efficient. There are no longer any hoses on the ground as potential trip hazards, and the service life of your hoses is extended significantly. Also, the risk of electric shock caused by defective cable insulation is reduced to a minimum because the cables are reeled up again after work has finished. They are fully insulated and have a sealed, impact-resistant plastic sheath. The scope of delivery includes a retaining bracket that can rotate through 180 degrees, either for wall or ceiling mounting. The protection class is IP 42.



Serie CR605 with safety plug



CEE plug

TYPE	Plug	Cable	Cable length m	Voltage V	Max. Ampere A	Weight kg	Order No.
CR605103S1	Schuko	H07RN-F3G 1,5	10	230	16	5.2	G40056
CR605153S1	Schuko	H07RN-F3G 1,5	15	230	16	5.4	G40001
CR625203S1	Schuko	H07RN-F3G 2,5	20	230	16	9.7	G40057
CR625253S1	Schuko	H07RN-F3G 1,5	25	230	16	9.5	G40060
CR605153S4	CEE	H07RN-F3G 1,5	15	230	16	5.4	G40002

400 V version and further specifications available on request!

