

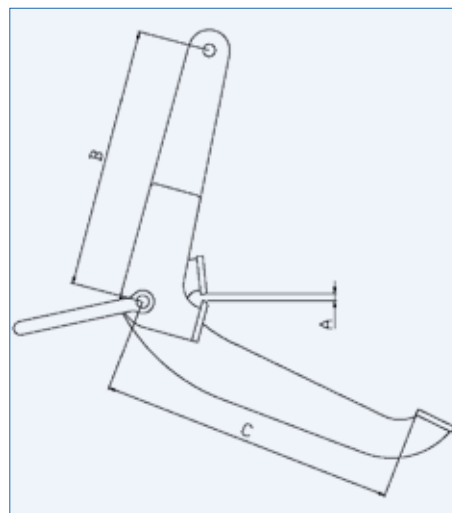


## Barrel clamp DLC

Barrel lifting clamp for the vertical transportation of barrels with standard dimensions.

Automatic and easy to use due to simple application on the upright barrel.

Locks with lifting.



TYPE	Capacity kg	Grip range mm	Dimensions in mm		Weight approx. kg	Order No.
			B	C		
<b>DLC 0,6</b>	600	0 – 30	310	385	5.0	<b>F00970</b>



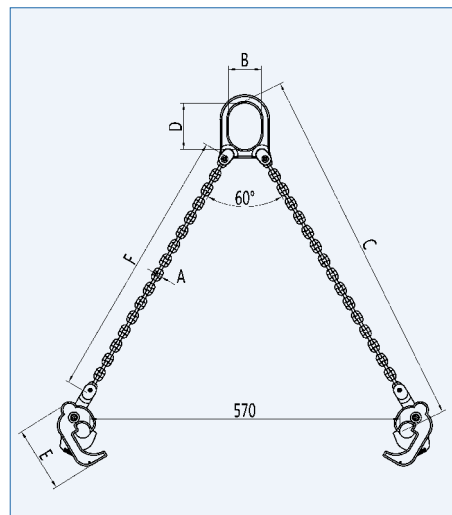
6

## Barrel clamp DL

Barrel clamps for the vertical transportation of barrels. Suitable for numerous applications.

For lifting barrels with different dimensions and shapes, with or without lid.

One-handed operation possible, observe load-bearing capacity!



TYPE	Capacity kg	Grip range mm	Dimensions in mm						Weight approx. kg	Order No.
			A	B	C	D	E	F		
<b>DLC 0,5 DLC 1</b>	500* 1,000**	0 – 25	6	62	660	85	120	500	3.6	<b>F00968</b>

\*) 1 string \*\*) 2 strings combined