

Spring balancer

The equipment is distinguished by its high quality and long service life. The suspended tool is brought into a weightless state over the entire cable pull-out and, after release, is returned to the set load.

Productively

Springs balancers make the suspended load almost weightless. A tool is suspended at the workplace in an apparatus whose load capacity range covers the weight of the tool plus the connecting cable or hose. The spring is then adjusted to the exact total weight with an Allen wrench supplied with it – the tool can be moved up and down without effort. “Working equipment and tools that hang on spring pulls/balancers can be grasped more quickly and can also be put down again”. Apart from productivity, order and cleanliness in the workplace will also be significantly improved.

Applications

For electric and pneumatic tools, grinding machines, polishing machines, impact screwdrivers, riveting machines, spot welding pincers, crane controls, etc.

Type TCN

The spring pulls/balancer type TCN have an aluminium die-cast housing, a flexible and resistant stainless steel wire cable, low-friction bushes, precise cable guidance, safety hooks and a long-life spring. A rope supplied with the rope serves as an additional fall protection.

Spring balancer 9311 – 9350

When spring balancers are used, the tool is pulled into the respective working position, with a progressive retraction force. After release, the tool automatically returns to the rest position. In models with additional locking, the cable of the spring pull is blocked in steps during withdrawal. By pulling again on the tool or cable, the locking is released and the tool returns to the rest position.

Spring balancer 9354 – 9444

Equipped with a conical cable drum, the suspended load remains almost suspended when released. The position of the tool can be changed by minimal effort due to the almost linear retraction force. The position of the attached device changes only by minimal effort of the operator.

Additional equipment type 9361 – 9444

In accordance with the strictest safety standards, kinematics blocks the drum in case of spring breakage and prevents the fall of the load. The particularly stable monoblock design protects the balancer particularly well in the extra heavy version. The cable guide is low-friction by means of rollers. For types 9361-9444, there is adjustable operation from below (see picture) to lift the load from the floor and manually block it (additional price).



Other versions on request!



9336 – 9340



9346 – 9350
(lockable)



9354 – 9359

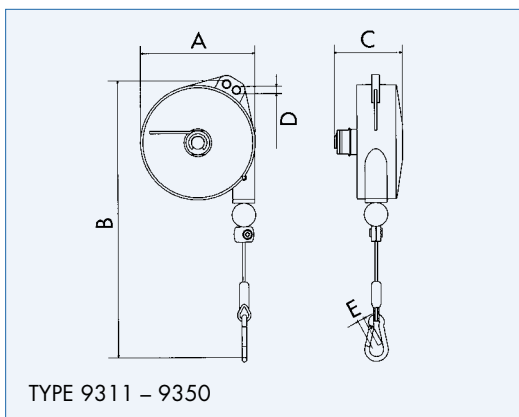


TYPE TCN	Capacity kg	Rope length m	Rope-Ø mm	Weight kg	Dimensions in mm						Order No.
					A	B	C	D	E	F	
9311	0.4 – 1	1.6	2	0.6	109	272	55	8	6	–	G30000
9312	1 – 2	1.6	2	0.6	109	272	55	8	6	–	G30001
9313	2 – 3	1.6	2	0.7	109	272	55	8	6	–	G30002
9320	1 – 2.5	2	2	2	149	324	85	8	8	–	G30003
9321	2 – 4	2	2	2	149	324	85	8	8	–	G30004
9322	4 – 6	2	2	2.3	149	324	85	8	8	–	G30005
9323	6 – 8	2	2	2.5	149	324	85	8	8	–	G30006
9336	2 – 4	2.5	2.5	2.9	180	368	92	9	10	–	G30033
9337	4 – 6	2.5	2.5	3.2	180	368	92	9	10	–	G30034
9338	6 – 8	2.5	2.5	3.5	180	368	92	9	10	–	G30035
9339	8 – 10	2.5	2.5	3.7	180	368	92	9	10	–	G30036
9340	10 – 14	2.5	2.5	4	180	368	92	9	10	–	G30037
9346 *	2 – 4	2.5	2.5	3	180	368	98	9	10	–	G30056
9347 *	4 – 6	2.5	2.5	3.3	180	368	98	9	10	–	G30057
9348 *	6 – 8	2.5	2.5	3.6	180	368	98	9	10	–	G30058
9349 *	8 – 10	2.5	2.5	3.8	180	368	98	9	10	–	G30059
9350*	10 – 14	2.5	2.5	4	180	368	98	9	10	–	G30060
9354	4 – 7	2	3	5	196	502	140	11	10	18	G30012
9355	7 – 10	2	3	5.5	196	502	140	11	10	18	G30013
9356	10 – 14	2	3	5.5	196	502	140	11	10	18	G30014
9357	14 – 18	2	3	6.5	196	502	140	11	10	18	G30015
9358	18 – 22	2	3	6	196	502	140	11	10	18	G30016
9359	22 – 25	2	3	6.6	196	502	140	11	10	18	G30017

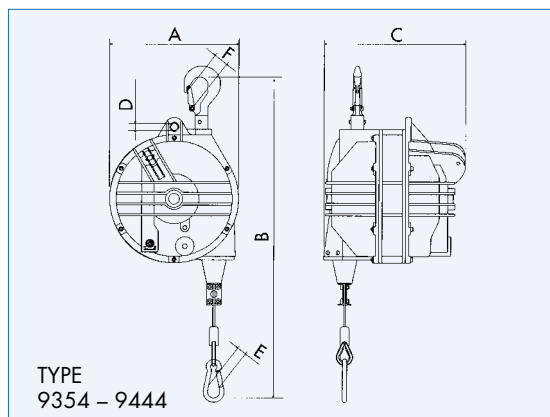
The types marked with * have an internal latch which, when the cable is pulled out, engages and holds the suspended load. Briefly tighten the rope and it rolls back on the drum.



9354 – 9359
in -version



TYPE 9311 – 9350



TYPE
9354 – 9444



9361 – 9369



9431 – 9444

TYPE TCN	Capacity kg	Rope length m	Rope-Ø mm	Weight kg	Dimensions in mm						Order No.
					A	B	C	D	E	F	
9354EX	4 – 7	2	3	4.94	196	502	140	11	10	18	G30130
9355EX	7 – 10	2	3	5.3	196	502	140	11	10	18	G30131
9356EX	10 – 14	2	3	5.67	196	502	140	11	10	18	G30132
9357EX	14 – 18	2	3	6.26	196	502	140	11	10	18	G30133
9358EX	18 – 22	2	3	5.39	196	502	140	11	10	18	G30134
9359EX	22 – 25	2	3	6.53	196	502	140	11	10	18	G30135
9361	10 – 15	2	4	10.3	240	630	215	12.5	12	18	G30018
9362	15 – 20	2	4	10.6	240	630	215	12.5	12	18	G30019
9363	20 – 25	2	4	11.2	240	630	215	12.5	12	18	G30020
9364	25 – 30	2	4	11.5	240	630	215	12.5	12	18	G30021
9365	30 – 35	2	4	11.8	240	630	215	12.5	12	18	G30022
9366	35 – 45	2	4	12.4	240	630	215	12.5	12	18	G30023
9367	45 – 55	2	4	12.5	240	630	215	12.5	12	18	G30024
9368	55 – 65	2	4	13.6	240	630	215	12.5	12	18	G30025
9369	65 – 75	2	4	14.5	240	630	215	12.5	12	18	G30026
9370	75 – 90	2	5	17.3	240	630	250	12.5	12	18	G30027
9371	90 – 105	2	5	18	240	630	250	12.5	12	18	G30028
9401	15 – 20	2.5	5	19	290	710	220	15	20	22	G30080
9402	20 – 30	2.5	5	19.8	290	710	220	15	20	22	G30081
9403	30 – 40	2.5	5	20.8	290	710	220	15	20	22	G30082
9404	40 – 50	2.5	5	23.9	290	710	220	15	20	22	G30083
9405	50 – 60	2.5	5	25.4	290	710	220	15	20	22	G30084
9411	60 – 70	2.5	5	26.8	290	710	270	15	20	22	G30085
9412	70 – 80	2.5	5	27.8	290	710	270	15	20	22	G30086
9413	80 – 90	2.5	5	28.8	290	710	270	15	20	22	G30087
9414	90 – 100	2.5	5	30	290	710	270	15	20	22	G30088
9422	100 – 120	2.5	5	38.7	290	710	355	15	20	22	G30089
9423	120 – 140	2.5	5	41.8	290	710	355	15	20	22	G30090
9424	130 – 150	2.5	5	44.5	290	710	355	15	20	22	G30091
9425	140 – 160	2.5	5	48	290	710	355	15	20	22	G30092
9426	160 – 180	2.5	5	49	290	710	355	15	20	22	G30093
9431	15 – 20	3	5	19.1	290	710	220	15	20	22	G30094
9432	20 – 25	3	5	19.9	290	710	220	15	20	22	G30095
9433	25 – 35	3	5	20.9	290	710	220	15	20	22	G30096
9434	35 – 45	3	5	23.8	290	710	270	15	20	22	G30097
9435	40 – 50	3	5	23.9	290	710	270	15	20	22	G30098
9436	50 – 60	3	5	25.3	290	710	270	15	20	22	G30099
9441	60 – 70	3	5	27	290	710	270	15	20	22	G30100
9442	70 – 80	3	5	28	290	710	270	15	20	22	G30101
9443	80 – 90	3	5	29	290	710	270	15	20	22	G30102
9444	22 – 25	3	5	29	290	710	270	15	20	22	G30103

Other versions on request.