



Main switch Surface mounting



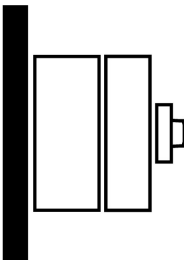
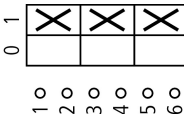
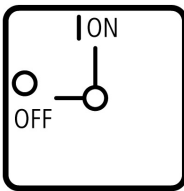
Powering Business Worldwide™

Part no. P3-63/14/SVB
Article no. 207343

Catalog No. SP3-063-I4CRQ

IP65

Delivery programme

Product range			Switch-disconnectors
Basic function			Main switches Maintenance switches Manual override switches
Part group reference			P3
Design			Surface mounting 
Protection type			IP65 totally insulated
Emergency stop			As an emergency switching off/emergency stop device With red rotary handle and yellow locking ring
Standards			According to IEC/EN 60204-1, VDE 0113 Part 1
Locking facility			Lockable in the 0 (Off) position without auxiliary contacts
Contact sequence			 1 0 2 0 3 0 4 0 5 0 6 0
Front plate no.			 FS 908
Main conducting paths			
No. of poles		M	3
Auxiliary contacts		N/O	0
		B	0
Max. motor rating			
AC-23A			

400/415 V 50-60 Hz	P	kW	30
Rated uninterrupted current	I_u	A	63

Approvals

Product Standards
UL File No.
UL CCN
CSA File No.
CSA Class No.
NA Certification
Specially designed for NA
Suitable for
Degree of Protection

UL 508; CSA-C22.2 No. 14-05; IEC/EN 60947-3; CE marking
E36332
NLRV
12528
3211-05
UL listed, CSA certified
Yes, in combination with "+NA-I4" (105868)
Branch circuits, suitable as motor disconnect
IEC: IP65; UL/CSA Type 3R, 12

General

Standards			IEC/EN 60947, VDE 0660, IEC/EN 60204, CSA, UL switch disconnecter according to IEC/EN 60947-3
Lifespan, mechanical	Operations	$x 10^6$	0.1
Maximum operating frequency		Operations/h	50
Climatic proofing			Damp heat, constant, to IEC 60068-2-78; Damp heat, cyclical, to IEC 60068-2-30
Ambient temperature		°C	
Open		°C	- 25 - 50
Enclosed		°C	- 25 - 40
Mounting position			As required
Mechanical shock resistance to IEC 60068-2-27	Half-sinusoidal shock 20 ms	g	> 15

Contacts

Rated operational voltage	U_e	V AC	690
Rated impulse withstand voltage	U_{imp}	V AC	6000
Overvoltage category/pollution degree			III/3
Rated uninterrupted current	I_u	A	
open	I_u	A	63
Enclosed	I_u	A	63
Load rating with intermittent operation, class 12			
AB 25 % DF		$x I_e$	2
AB 40 % DF		$x I_e$	1.6
AB 60 % DF		$x I_e$	1.3
Short-circuit rating			
Fuse		A gG/ gL	80
Rated short-time withstand current (1 s current)	I_{cw}	A_{rms}	1260
Switching angles		°	90
Current heat loss per contact at I_e		W	4.5

Terminal capacities

Solid or stranded		mm ²	1 x (2.5 - 35) 2 x (2.5 - 10)
Flexible with ferrules to DIN 46228		mm ²	
Flexible with ferrule		mm ²	1 x (1.5 - 25) 2 x (1.5 - 6)
Terminal screw			M5
Tightening torque		Nm	3

Switching capacity

AC		$x U_s$	
Rated making capacity $\cos \varphi = 0.35$		A	800
Rated breaking capacity, motor load switch $\cos \varphi = 0.35$		A	

230 V		A	640
400 V		A	600
500 V		A	590
690 V		A	340
Rated operational current 440 V load-break switch AC-21A	I _e	A	63
Rating, AC-3 motor load switch	P	kW	
220 V 230 V	P	kW	15
380 V 400 V	P	kW	30
500 V	P	kW	30
660 V 690 V	P	kW	20
AC-23A Motor load switches (main switches maintenance switches)	P	kW	
230 V	P	kW	18.5
400 V	P	kW	30
500 V	P	kW	37
690 V	P	kW	50
DC		x U _s	
DC-1, Load-break switches L/R = 1 ms			
Rated operational current	I _e	A	63
Voltage per contact pair in series		V	60
DC-23A, motor load switch L/R = 15 ms			
24 V			
Rated operational current	I _e	A	50
Contacts		Quantity	1
48 V			
Rated operational current	I _e	A	50
Contacts		Quantity	2
60 V			
Rated operational current	I _e	A	50
Contacts		Quantity	3
120 V			
Rated operational current	I _e	A	25
Contacts		Quantity	3

Auxiliary contacts

Standards According to IEC/EN 60204-1, VDE 0113 Part 1

Notes

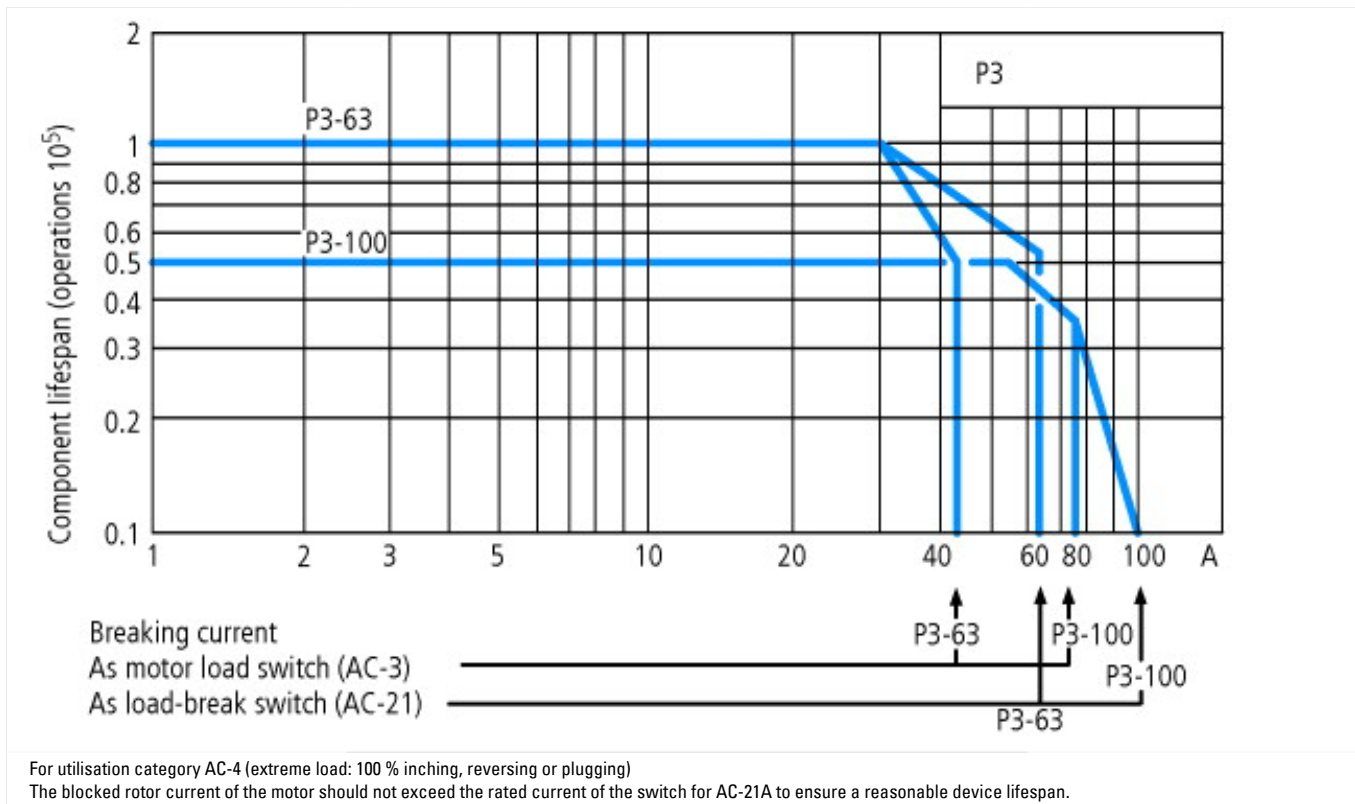
Notes Main switch characteristics to IEC/EN 60204; positive opening of contacts, operator element positively located on shaft
The rated uninterrupted current I_u is stated at max. connected cross-section.
For terminal capacity solid, stranded and flexible:
Max. 2 cross-section sizes difference admissible when using 2 conductors.

Technical data ETIM 4.0

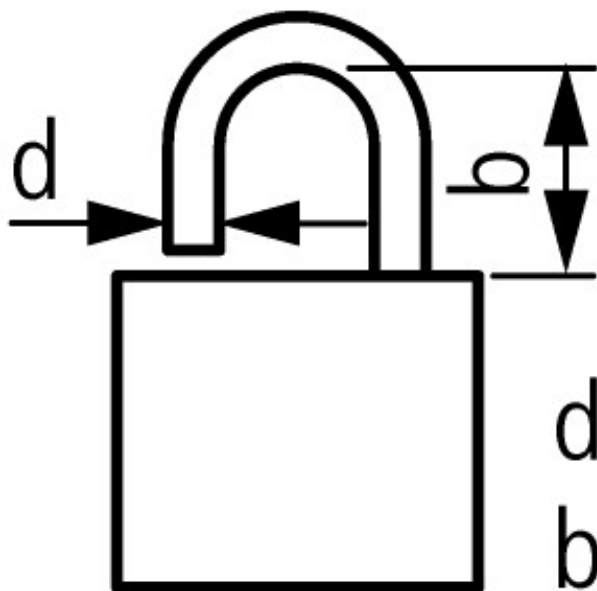
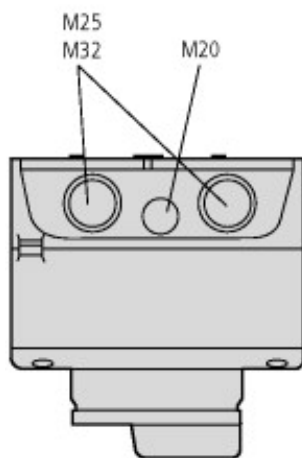
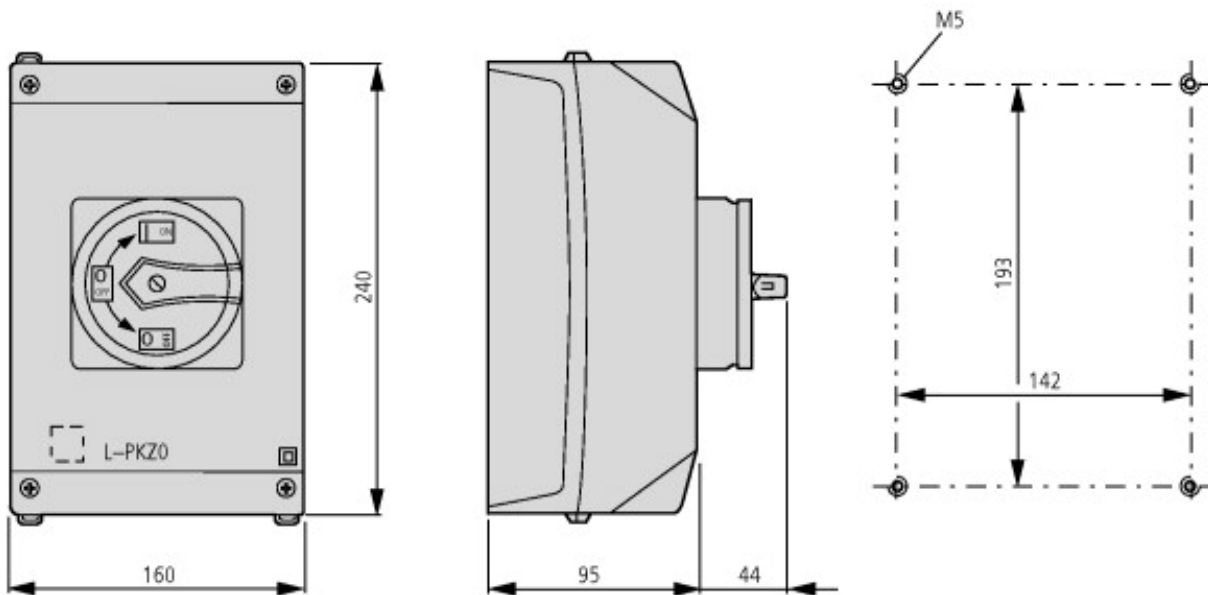
Version as switch disconnecter compact			Yes
Version as main switch			Yes
Version as maintenance-/service switch			Yes
Version as safety switch			No
Version as emergency stop installation			Yes
Max. rated operation voltage U _e AC		V	690
Rated permanent current I _u		A	63
Rated operation power AC-3, 400 V		kW	30
Rated operation power at AC-23, 400V		kW	37
Conditioned rated short-circuit current I _q		kA	0
Number of poles			3
Number of auxiliary contacts as normally closed contact			0
Number of auxiliary contacts as normally open contact			0
Number of auxiliary contacts as change-over contact			0
Motor drive optional			No

Motor drive integrated		No
Voltage release optional		No
Device construction		Complete device in housing
Suitable for ground mounting		Yes
Suitable for front mounting		No
Suitable for front mounting center		No
Suitable for distribution board installation		No
Suitable for intermediate mounting		No
Type of control element		-
Interlockable		Yes
Connection type main current circuit		Screw connection
Degree of protection (IP), front side		IP65

Characteristics



Dimensions



 3 Padlocks

Additional product information (links)

IL03801010Z (AWA1150-1982) Cam switch: switch-disconnector

IL03801010Z (AWA1150-1982) Cam switch: switch-disconnector

ftp://ftp.moeller.net/DOCUMENTATION/AWA_INSTRUCTIONS/IL03801010Z2011_06.pdf

<http://ecat.moeller.net/flip-cat/?edition=HPLEN&startpage=4.87>