



Main switch, +housing, 3p, 25A, handle red yellow, lockable



Powering Business Worldwide™

Part no. P1-25/12/SVB

Article no. 207293

Catalog No. SP1-025-I2CRQ

Delivery programme

Product range
Basic function

Part group reference
Emergency STOP

Contacts

Main circuits
Poles



Auxiliary contacts



Locking facility
Protection type

Design

Contact sequence

Front plate no.

Switch-disconnectors T, P
Main switches
Maintenance switches
Manual override switches
P1
as emergency switching off/
emergency stop function
With red rotary handle and yellow
locking ring
without auxiliary contacts
auxiliary contact fitted by user
neutral conductor fitted by user
3

N/O

0

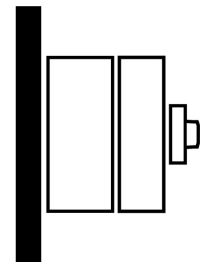
B

0

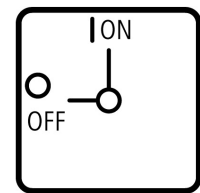
Lockable in the 0 (Off) position
IP65

totally insulated

main switch surface mounting



1 0 2 0 3 0 4 0 5 0 6 0



FS 908

Bemessungsbetriebsleistung AC-23A,

50 - 60 Hz

400 V

Rated uninterrupted current

P

I_u

kW

A

13

25

Approvals

Product Standards
UL File No.
UL Category Control No.
CSA File No.
CSA Class No.
North America Certification
Suitable for
Degree of Protection

UL 508; CSA-C22.2 No. 14-05; CSA-C22.2 No. 94; IEC/EN 60947-3; CE marking
E36332
NLRV
12528
3211-05
UL listed, CSA certified
Branch circuits, suitable as motor disconnect
IEC: IP65; UL/CSA Type 3R, 12

General

Standards

Climatic proofing

Ambient temperature

Open

Enclosed

Overvoltage category/pollution degree

Rated impulse withstand voltage

Mechanical shock resistance

Mounting position

Protection against direct contact when actuated from front (EN 50274)

		IEC/EN 60947, VDE 0660, IEC/EN 60204, CSA, UL Switch-disconnector according to IEC/EN 60947-3
		Damp heat, constant, to IEC 60068-2-78 Damp heat, cyclic, to IEC 60068-2-30
	°C	
	°C	-25 - +50
	°C	-25 - +40
		III/3
U_{imp}	V AC	6000
	g	15
		As required
		Finger and back-of-hand proof

Contacts

Mechanical variables

Main circuits

Poles

Auxiliary contacts

Electrical characteristics

Rated operational voltage

Rated uninterrupted current

Note on rated uninterrupted current I_u

Load rating with intermittent operation, class 12

AB 25 % DF

AB 40 % DF

AB 60 % DF

Short-circuit rating

Fuse

Rated short-time withstand current (1 s current)

Note on rated short-time withstand current I_{cw}

		3
	N/O	0
	B	0
U_e	V AC	690
I_u	A	25
		Rated uninterrupted current I_u is specified for max. cross-section.
	$x I_e$	2
	$x I_e$	1.6
	$x I_e$	1.3
	A gG/ gL	25
I_{cw}	A_{rms}	640
		Current for a time of 1 second

Switching capacity

Bemessungsausschaltvermögen $\cos \varphi$ nach IEC 60947-3

230 V

400/415 V

500 V

690 V

Safe isolation to EN 61140

between the contacts

Current heat loss per contact at I_e

Lifespan, mechanical

Maximum operating frequency

AC

AC-3

Rating, motor load switch

220 V 230 V

380 V 400 V

400 V 415 V

500 V

690 V

Bemessungsbetriebsstrom Motorschalter

230 V

	A	
	A	190
	A	150
	A	170
	A	150
	V AC	440
	W	1.1
Operations	$x 10^6$	> 0.3
Operations/ h		1200
P	kW	
P	kW	5.5
P	kW	7.5
P	kW	7.5
P	kW	7.5
P	kW	7.5
I_e	A	19.6

400V 415 V
500 V
690 V
AC-21A
Bemessungsbetriebsstrom Lastschalter
440 V
AC-23A
Bemessungsbetriebsleistung AC-23A, 50 - 60 Hz
230 V
400 V 415 V
500 V
690 V
Bemessungsbetriebsstrom Motorschalter
230 V

DC

DC-1, Load-break switches L/R = 1 ms

Rated operational current

Voltage per contact pair in series

DC-23A, motor load switch L/R = 15 ms

24 V

Rated operational current

Contacts

48 V

Rated operational current

Contacts

60 V

Rated operational current

Contacts

120 V

Rated operational current

Contacts

I _e	A	15.2
I _e	A	12.1
I _e	A	8.8
I _e	A	25
P	kW	
P	kW	7
P	kW	13
P	kW	11
P	kW	11
I _e	A	25
I _e	A	25
	V	60
I _e	A	25
	Quantity	1
I _e	A	25
	Quantity	2
I _e	A	25
	Quantity	3
I _e	A	12
	Quantity	3

Terminal capacities

Flexible with ferrules to DIN 46228

Flexible with ferrule

Terminal screw

Max. tightening torque

	mm ²	
	mm ²	1 x (1 - 4) 2 x (1 - 4)
		M4
	Nm	1.6

Technical data ETIM 5.0

Low-voltage industrial components (EG000017) / Switch disconnecter (EC000216)

Electric engineering, automation, process control engineering / Low-voltage switch technology / Off-load switch, circuit breaker, control switch / Switch disconnecter

(ec1@ss8-27-37-14-03 [AKFD60009])

Version as switch disconnector

Yes

compact

Version as main switch

Yes

Version as maintenance-/service

Yes

switch

Version as safety switch

No

Version as emergency stop installation

Yes

Max. rated operation voltage U_e AC

V

690

Rated permanent current I_u

A

25

Rated operation power AC-3, 400 V

kW

7.5

Rated operation power at AC-23, 400 V

kW

13

Conditioned rated short-circuit current

kA

0

I_q

Number of poles

3

Number of auxiliary contacts as

0

normally closed contact

Number of auxiliary contacts as

0

normally open contact

Number of auxiliary contacts as

0

change-over contact

Motor drive optional

No

Motor drive integrated

No

Voltage release optional

No

Device construction

Complete device in housing

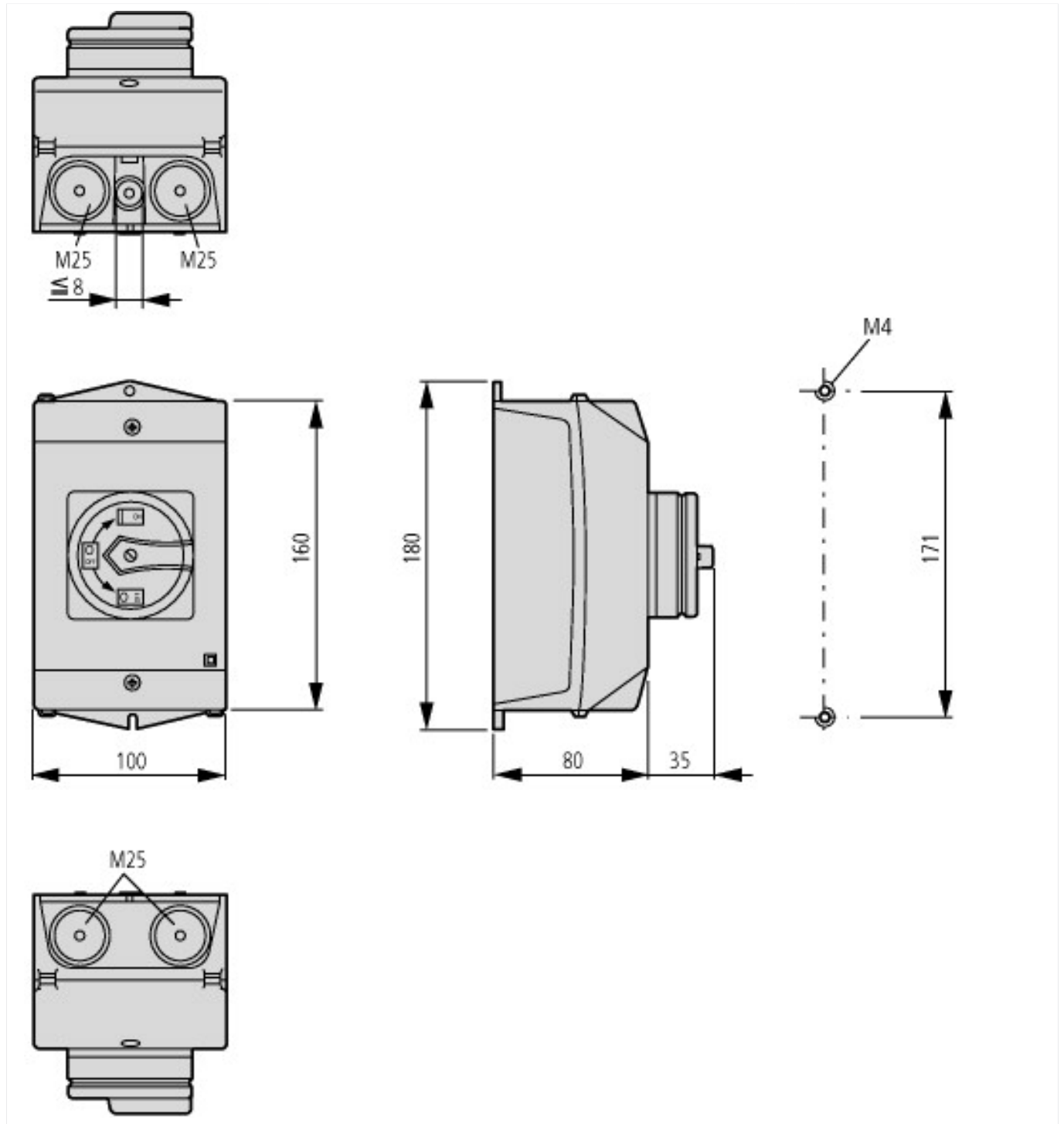
Suitable for ground mounting

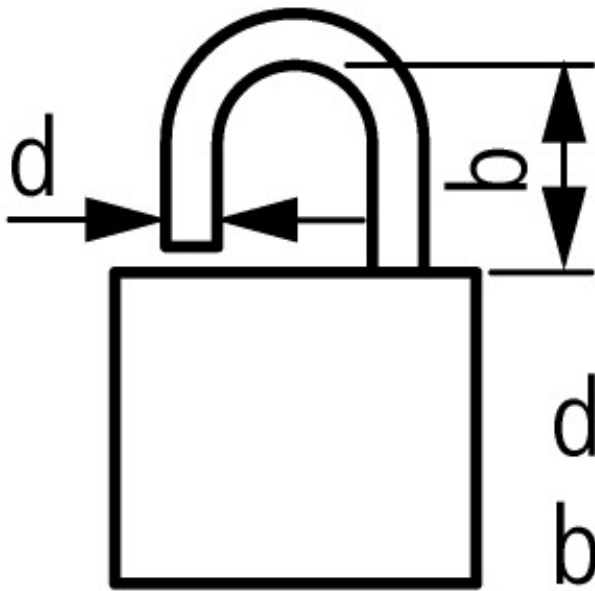
Yes

Suitable for front mounting
 Suitable for front mounting center
 Suitable for distribution board
 installation
 Suitable for intermediate mounting
 Type of control element
 Interlockable
 Connection type main current circuit
 Degree of protection (IP), front side

No
 No
 No
 No
 -
 Yes
 Screw connection
 IP65


Dimensions





$$d = 4 - 8 \text{ mm}$$

$$b + d \leq 47 \text{ mm}$$

 3 padlocks

Additional product information (links)

IL03802001Z (AWA1150-1689) Switch-Disconnectors in insulated enclosures

IL03802001Z (AWA1150-1689) Switch-Disconnectors in insulated enclosures

ftp://ftp.moeller.net/DOCUMENTATION/AWA_INSTRUCTIONS/IL03802001Z2014_02.pdf

<http://ecat.moeller.net/flip-cat/?edition=HPLEN&startpage=4.87>

<http://de.ecat.moeller.net/flip-cat/?edition=HPLTEv1&startpage=4.2>

<http://de.ecat.moeller.net/flip-cat/?edition=HPLTEv1&startpage=4.4>

<http://de.ecat.moeller.net/flip-cat/?edition=HPLTEv1&startpage=4.6>

<http://de.ecat.moeller.net/flip-cat/?edition=HPLTEv1&startpage=4.8>

<http://de.ecat.moeller.net/flip-cat/?edition=HPLTEv1&startpage=4.8>