

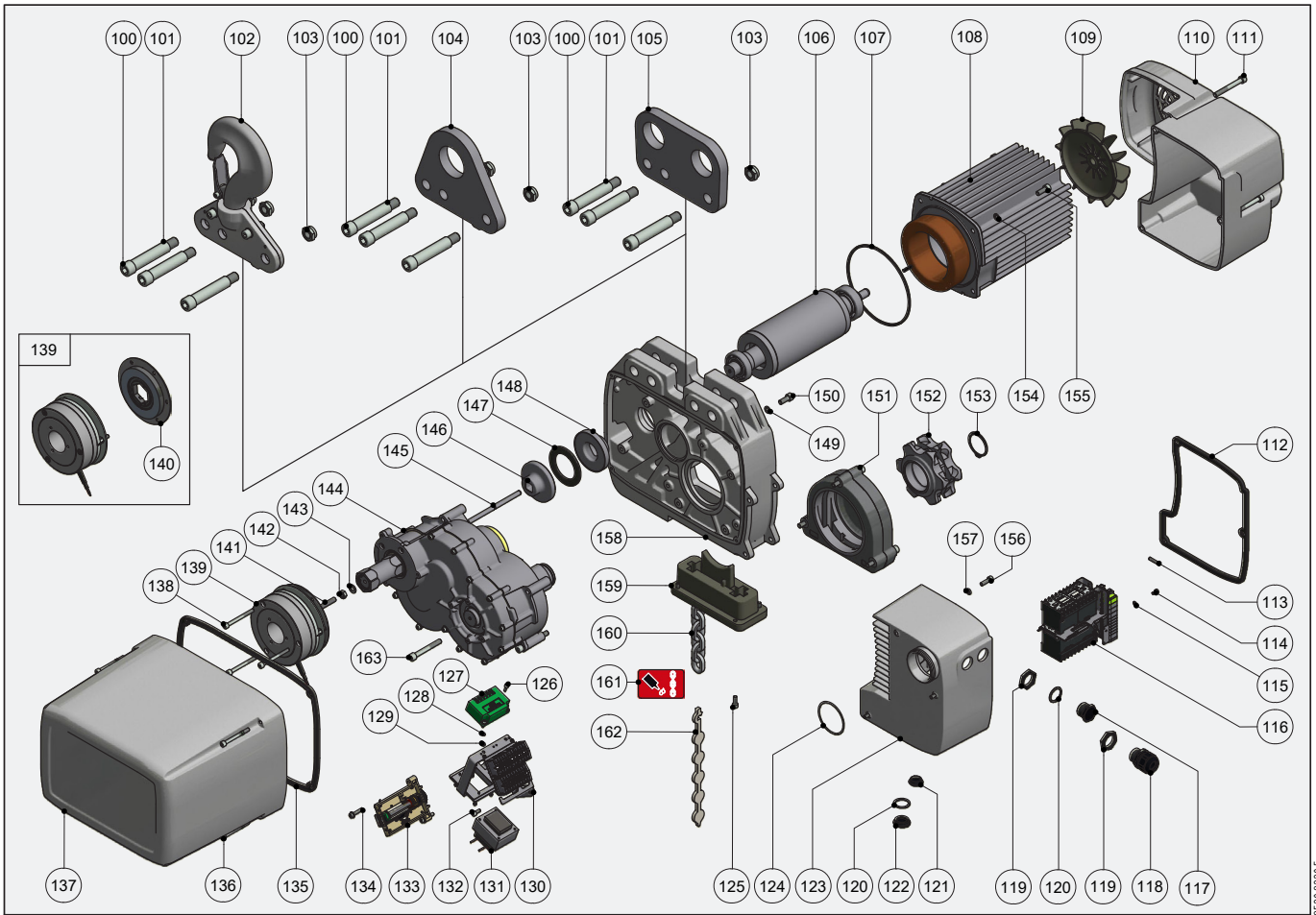
ERSATZTEILE | STROMLAUFPLÄNE

PEH 1600/2500

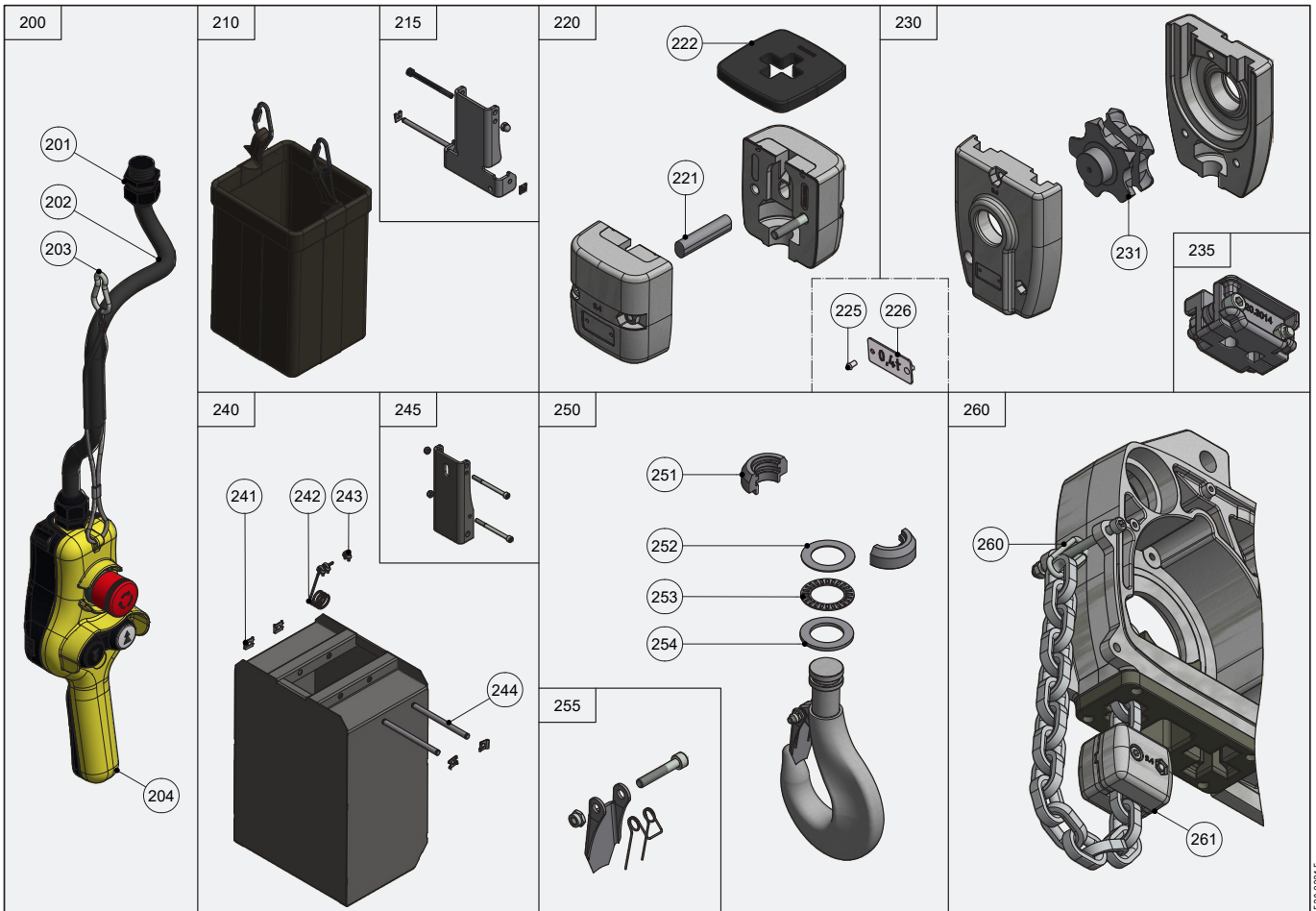
Spare parts | Pièces de rechange | Onderdelen | Reservedele | Varaosat | Pezzi di ricambio
Reservedelen | Peças | Reservdelar | Piezas de recambio | Запасные части

Circuit diagrams | Schéma de connexions | Stroomschema | Kredslobsdiagrammer
Kytkentäkaavio | Aansluitschema | Schema elettrico | Koplingskjema | Esquema electrico
Elschema | Esquema eléctrico | Принципиальные электрические схемы





9520 9221.5



9520 9221.5

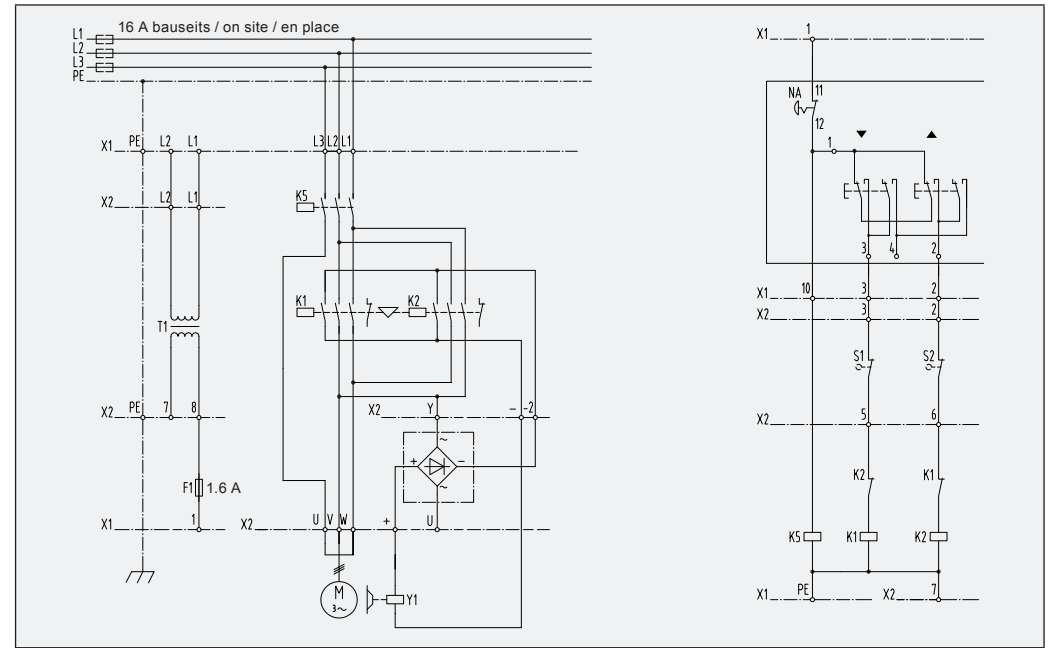
| | | PEH 1600 | PEH 2500 |
|------|----------------------------------|-------------|-------------|
| 100 | M16 x 90/44 | 9030.0341 | |
| | M16 x 110/44 | | 9030.0352 |
| 101 | ø20/2 x 77 | 9520.3077.4 | |
| | ø20/2 x 87 | | 9521.3034.4 |
| 102* | 166 x 210 | 9408.3070.3 | 9521.3039.4 |
| 103 | M16 | 9031.1281 | 9031.1281 |
| 104* | 186 x 169.9 x 20 | 9408.3019.3 | |
| | 203.9 x 166.7 x 20 | | 9521.3028.3 |
| 105* | 209.9 x 140 x 15 | 9408.3020.3 | |
| | 209.1 x 140 x 20 | | 9521.3027.3 |
| 106 | 2t, L=170 | 9520.3027.3 | 9520.3027.3 |
| | 1t, L=120 | 9520.3028.3 | 9520.3028.3 |
| 107 | ø156 / ø149 x 2.5 | 9515.3054.4 | 9515.3054.4 |
| 108 | 2p, 3 x 230/400V 50Hz | | 9527.0250.3 |
| | 2p, 3 x 460V 60Hz, CSA | | 9527.0250.3 |
| | 2/8p, 3 x 230V 50Hz | 9527.0351.3 | 9527.0351.3 |
| | 2/8p, 3 x 400V 50Hz | 9527.0350.3 | 9527.0350.3 |
| | 2/8p, 3 x 460V 60Hz, CSA | 9527.0350.3 | 9527.0350.3 |
| | 4p, 3 x 230/400V 50Hz | 9527.0150.3 | 9527.0150.3 |
| | 4p, 3 x 460V 60Hz, CSA | 9527.0150.3 | 9527.0150.3 |
| 109 | ø166 / ø14 x 43 | 9515.3075.3 | 9515.3075.3 |
| 110 | 245.5 x 354.5 x 161 | 9520.3011.2 | 9520.3011.2 |
| 111 | M6 x 60/24 N | 9030.0339 | 9030.0339 |
| 112* | 214.5 x 246 x 6 | 9520.3033.3 | 9520.3033.3 |
| 113 | 1.6A UL | 9052.0012 | 9052.0012 |
| 114 | M4 x 8 | 9030.0325 | 9030.0325 |
| 115 | 4.3/8 x 0.8 | 9031.3706 | 9031.3706 |
| 116 | 2t+NA, 42V | 9517.1100.2 | 9517.1100.2 |
| | 1t+NA, 42V | 9517.1000.2 | 9517.1000.2 |
| 117 | M25 x 1.5 | 9055.3517 | 9055.3517 |
| 118 | M25 x 1.5 | 9055.3103 | 9055.3103 |
| 119 | M25 | 9055.4013 | 9055.4013 |
| 120 | ø29.5 / ø23.2 x 1 | 9040.2511 | 9040.2511 |
| 121 | M20 x 1.5 | 9055.3512 | 9055.3512 |
| 122 | M25 x 1.5 | 9055.3513 | 9055.3513 |
| 123 | 226.7 x 243.8 x 137.5 | 9520.3006.2 | 9520.3006.2 |
| 124 | ø59 x 2.5 NBR 70 | 9035.0034 | 9035.0034 |
| 125 | M6 x 16 | 9030.0322 | 9030.0322 |
| 126 | M4 x 12 | 9030.0252 | 9030.0252 |
| 127 | PMG 580-S | 9050.4124 | 9050.4124 |
| 128 | M4 | 9031.3228 | 9031.3228 |
| 129 | M4 | 0031.0035 | 0031.0035 |
| 130 | 1t, 2t, 580V | 9527.1200.3 | 9527.1200.3 |
| 131 | 400/42V | 9056.4701.4 | 9056.4701.4 |
| | 230/42V 50/60Hz, 460/42V 50/60Hz | 9056.4741.4 | 9056.4741.4 |
| 132 | M5 x 10 | 9030.0027 | 9030.0027 |
| 133 | 103 x 84 x 41 | 9500.3069.3 | 9500.3069.3 |
| 134 | M5 x 25 | 9030.0022 | 9030.0022 |
| 135* | 350 x 239.5 x 7.5 | 9520.3034.3 | 9520.3034.3 |
| 136 | M6 x 60/24 N | 9030.0339 | 9030.0339 |
| 137 | 348 x 237.5 x 285 | 9520.3005.3 | 9520.3005.3 |
| 138 | M6 x 60/24 | 9030.0282 | 9030.0282 |
| 139 | 25Nm, 200-240VAC 50/60Hz | 9050.4117 | 9050.4117 |
| | 25Nm, 360-420VAC 50/60Hz | 9050.4118 | 9050.4118 |
| | 25Nm, 440-480VAC 50/60Hz | 9050.4119 | 9050.4119 |
| | 25Nm, 500-575VAC 50/60Hz | 9050.4120 | 9050.4120 |
| 140* | ø128 x 11.8 | 9405.3286.4 | 9405.3286.4 |
| 141 | M8 x 40 | 9030.2018 | 9030.2018 |
| 142 | M8 | 0031.0008 | 0031.0008 |
| 143 | ø8.4 / ø16 x 1.6 | 0031.0578 | 0031.0578 |
| 144 | 300.6 x 219.1 x 305.8 N | 9520.3020.2 | 9520.3020.2 |
| | 300.6 x 219.1 x 305.8 S | 9520.3022.2 | 9520.3022.2 |
| | 300.6 x 219.1 x 305.8 B | | 9520.3023.2 |
| 145 | ø8 x 65 | 9031.5862 | 9031.5862 |
| 146* | ø76 x 28 | 9520.3062.3 | 9520.3062.3 |
| 147* | ø75 / ø51 x 5 | 9520.3061.4 | 9520.3061.4 |
| 148* | ø75 x 29 | 9520.3063.3 | 9520.3063.3 |
| 149 | M8 | 9031.3904 | 9031.3904 |
| 150 | M8 x 30 | 9030.0288 | 9030.0288 |
| 151* | 166 x 191 x 38.5 | 9520.3055.4 | 9521.3055.4 |
| 152* | ø112 x 57 | 9520.3030.1 | 9521.3030.1 |
| 153 | A 42 x 1.75 | 9031.2015 | 9031.2015 |
| 154 | M8 | 9031.3904 | 9031.3904 |
| 155 | M8 x 25 | 9030.0287 | 9030.0287 |
| 156 | M6 x 20 | 0030.9230 | 0030.9230 |
| 157 | 10.5 / ø6.5 x 3 | 9040.2508 | 9040.2508 |
| 158 | 308 x 370 x 80 | 9520.3000.2 | 9521.3000.2 |
| 159* | 176 x 75 x 97.5 | 9520.3008.2 | 9521.3008.2 |
| 160* | 9.4 x 27.4 | 9039.0031 | |
| | 11.75 x 32.9 | | 9039.0032 |
| 161 | 0.1 I | 9041.0007 | 9041.0007 |
| 162 | 308 x 31 x 5 (9.4) | 9041.6037 | |
| | 367 x 41 x 5 (11.75) | | 9041.6038 |
| 163 | M8 x 65/28 T | 9030.0345 | 9030.0345 |

| | | PEH 1600 | PEH 2500 |
|------|---------------------------------------|-------------|-------------|
| 200* | 2K NA 3m | 9290.1086.3 | 9290.1086.3 |
| | 2K NA 4m | 9290.1087.3 | 9290.1087.3 |
| | 2K NA 5m | 9290.1088.3 | 9290.1088.3 |
| | 2K NA 6m | 9290.1089.3 | 9290.1089.3 |
| | 2K NA 7m | 9290.2014.3 | 9290.2014.3 |
| | 2K NA 8m | 9290.1090.3 | 9290.1090.3 |
| | 2K NA 10m | 9290.1091.3 | 9290.1091.3 |
| | 2K NA 12m | 9290.1092.3 | 9290.1092.3 |
| | 2K NA 15m | 9290.1093.3 | 9290.1093.3 |
| | 2K NA 20m | 9290.1094.3 | 9290.1094.3 |
| 201* | M20 x 1.5 | 9055.3102 | 9055.3102 |
| 202* | 5 x 0.75 mm ² | 9055.0110 | 9055.0110 |
| 203 | ø4 x 40 | 9031.8007 | 9031.8007 |
| 204* | 2K NA | 9290.2000.3 | 9290.2000.3 |
| 210 | 420 x 192 x 212, S, 1600/10, 2500/6 | 9520.3109.3 | 9520.3109.3 |
| | 590 x 192 x 212, M, 1600/16, 2500/12 | 9520.3110.3 | 9520.3110.3 |
| | 880 x 192 x 212, L, 1600/32, 2500/26 | 9520.3111.3 | 9520.3111.3 |
| | 940 x 192 x 212, XL, 1600/35, 2500/28 | 9520.3112.3 | 9520.3112.3 |
| 215 | 173 x 141 x 43 | 9520.3113.3 | 9520.3113.3 |
| 220* | 94 x 94 x 111 | 9520.3094.2 | |
| | 113 x 113 x 140 | | 9521.3075.2 |
| 221* | 11 x 15.8 x 59 | 9520.3072.4 | |
| | 13.5 x 17.8 x 59 | | 9521.3072.4 |
| 222* | 90 x 89 x 15.6 | 9520.3065.3 | 9520.3065.3 |
| 225 | ø3 x 5 | 9031.6604 | 9031.6604 |
| 226 | 0.8 t | 9220.3473.4 | |
| | 1 t | 9220.3474.4 | |
| | 1.25 t | 9220.3475.4 | 9220.3475.4 |
| | 1.6 t | 9220.3476.4 | 9220.3476.4 |
| | 2 t | 9221.3412.4 | 9221.3412.4 |
| | 2.5 t | 9230.3226.4 | 9230.3226.4 |
| | 3.2 t | 9230.3227.4 | 9230.3227.4 |
| | 4.0 t | 9231.3196.4 | 9231.3196.4 |
| | 5.0 t | | 9235.3064.4 |
| | 6.3 t | | 9521.3077.4 |
| 230 | 180.5 x 140 x 91 | 9520.3017.1 | |
| | 230 x 170 x 108 | | 9521.3017.1 |
| 231 | 93 x 74 | 9520.3035.3 | |
| | 119 x 90 | | 9521.3035.3 |
| 235 | 44 x 36 x 64 | 9520.3014.4 | |
| | 44 x 36 x 70 | | 9521.3014.4 |
| 240 | 1600/10, 2500/6 | 9520.3204.2 | 9520.3204.2 |
| | 1600/15, 2500/9 | 9520.3208.2 | 9520.3208.2 |
| | 1600/20, 2500/12 | 9520.3212.2 | 9520.3212.2 |
| | 1600/30, 2500/17 | 9520.3220.2 | 9520.3220.2 |
| | 1600/40, 2500/23 | 9520.3228.2 | 9520.3228.2 |
| | 1600/50, 2500/30 | 9520.3236.2 | 9520.3236.2 |
| 241 | Gr. 12 | 9031.2403 | 9031.2403 |
| 242 | 4 mm | 9039.1002 | 9039.1002 |
| 243 | 4 mm | 9039.1102 | 9039.1102 |
| 244 | ø12 x 170 | 9520.3194.4 | 9520.3194.4 |
| 245 | 108 x 213 x 40.5 | 9520.3195.4 | 9520.3195.4 |
| 250* | 209 x 127.7 | 9408.3161.4 | |
| | 243 x 148 | | 9521.3023.3 |
| 251 | ø47 x 23.5 | 9235.3107.4 | |
| | ø52 x 35 | | 9521.3020.4 |
| 252* | 30/47 x 1 | 0038.3128 | |
| | 35/52 x 1 | | 0038.3126 |
| 253* | 30/47 x 2, AXK3047 | 9038.0252 | |
| | 35/52 x 2, AXK3552 | | 9038.0253 |
| 254* | 30/47 x 3 | 9038.1750 | |
| | 35/52 x 3.5 | | 9038.1765 |
| 255* | s=2.0 | 9220.3482.4 | |
| | s=3.0 | | 9521.3025.4 |
| 260 | ø6 | 9039.0413 | 9039.0413 |
| 261 | 70 x 59 x 60 | 9520.3013.2 | |
| | 70 x 65 x 66 | | 9521.3013.2 |

| | | |
|--|---|--------------------|
| Schützensteuerung Contactor control Commande par contacteurs | 1 Geschwindigkeit mit Not-Aus 1 speed with emergency stop 1 vitesse avec marche-arrêt | 9510.9500.4 / 3 Ph |
| | 2 Geschwindigkeiten mit Not-Aus 2 speeds with emergency stop 2 vitesses avec marche-arrêt | 9510.9501.4 / 3 Ph |

| | | | |
|---------|-----------------|----------------|-------------------------|
| F | Steuersicherung | Control fuse | Fusible de commande |
| K | Schütz | Contacteur | Contacteur |
| L | Zuleitung | Power supply | Alimentation électrique |
| N | Nullleiter | Neutral | Neutre |
| NA | Not-Aus | Emergency stop | Marche-arrêt |
| PE | Erdung | Earth | Mise à la terre |
| S | Schalter | Switch | Interrupteur |
| T | Transformator | Transformer | Transformateur |
| U, V, W | Motor | Motor | Moteur |
| X | Klemmenleiste | Terminal strip | Bornier de raccordement |
| Y | Bremse | Brake | Frein |

9510.9500.4 / 3 Ph



9510.9501.4 / 3 Ph

