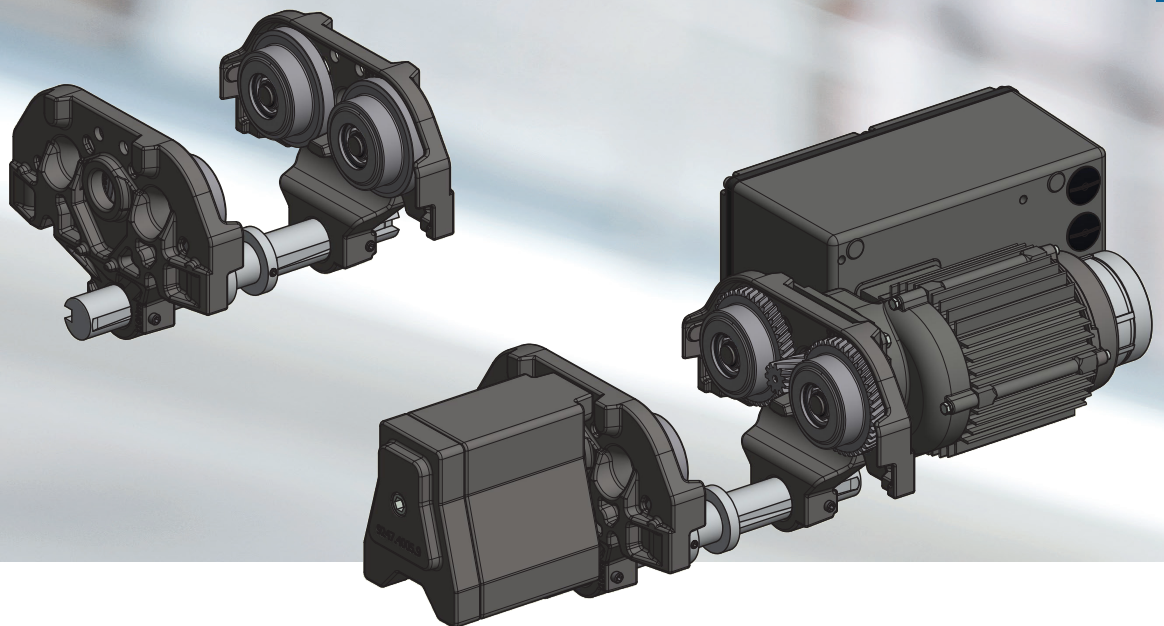


ERSATZTEILE | STROMLAUFPLÄNE

PHF/PMF 1250/2500/5000/6300

Spare parts | Pièces de rechange | Onderdelen | Reservedele | Varaosat | Pezzi di ricambio
Reservedelen | Peças | Reservdelar | Piezas de recambio | Запасные части

Circuit diagrams | Schéma de connexions | Stroomschema | Kredslobsdiagrammer
Kytkentäkaavio | Aansluitschema | Schema elettrico | Koplingskjema | Esquema electrico
Elschema | Esquema eléctrico | Принципиальные электрические схемы





		PHF 1250	PHF 2500	PHF 5000	PHF 6300
102	LR fl	9247.3003.3	9248.3003.3	9249.4003.3	9249.4503.2
	LR fl, KTL	9247.3011.3	9248.3011.3	9248.3011.3	9248.3011.3
	LR ba	9247.3020.3	9248.3020.2	9249.4026.2	9249.4526.2
	LR ba, KTL	9247.3021.3	9248.3021.2	9249.3021.2	9249.3521.3
111	M8 x 25, Precote	9030.2022			
	M10 x 30, Precote		9030.2023		
	M10 x 26, Precote			9249.3008.4	9249.3008.4
114	70 x 21	9247.3800.4	9247.3800.4	9247.3801.4	9247.3801.4
265*	ø19 x 39.4	9247.3008.4	9248.3008.4	9249.3009.4	9249.3009.4
270*	LR fl	9247.3001.3	9248.3001.3	9249.3001.3	9249.3501.3
275*	LR ba	9247.3012.3	9248.3012.3	9249.4012.3	9249.4512.3
300	ø32 x 186, 70-140 mm	9247.3034.3			
	ø32 x 286, 70-240 mm	9247.3004.3			
	ø42 x 258, 88-300 mm		9248.3032.3		
	ø42 x 358, 88-300 mm		9248.3004.3		
	ø40 x 368, 91-300 mm			9249.3004.3	
	ø45 x 392, 91-300 mm				9249.3504.3

		PHF 1250	PHF 2500	PHF 5000	PHF 6300
301	M6 x 10 T	9030.2020			
	M8 x 12 T		9030.2021	9030.2021	9030.2021
302	ø50 / ø32 x 9	9247.3006.4			
	ø60 / ø42 x 12		9248.3006.4		
	ø60 / ø40 x 12			9249.3006.4	
	ø60 / ø45 x 12				9249.3506.4
305	210 x 140 x 15			9408.3020.3	9408.3020.3

		PMF 1250	PMF 2500	PMF 5000	PMF 6300
100	136.5 x 112 x 34	9247.4005.3			
101	136.5 x 112 x 139	9247.4004.3			
102	LR fl	9247.3003.3	9248.3003.3	9249.4003.3	9249.4503.2
	LR fl, KTL	9247.3011.3	9248.3011.3	9248.3011.3	9248.3011.3
	LR ba	9247.3020.3	9248.3020.2	9249.4026.2	9249.4526.2
	LR ba, KTL	9247.3021.3	9248.3021.2	9249.3021.2	9249.3521.3
103	M10	9031.3801	9031.3801	9031.3801	9031.3801
104	M10 x 25	9030.0295	9030.0295	9030.0295	9030.0295
105	M6	9031.3903	9031.3903	9031.3903	9031.3903
106	M6 x 16	9030.5262	9030.5262	9030.5262	9030.5262
107	M5 x 20	9030.0263	9030.0263	9030.0263	9030.0263
108	ø116 x 32.5	9247.2006.3	9247.2006.3	9247.2006.3	9247.2006.3
109	4p, 3 x 230/400V 50Hz, -N	9245.1100.4	9245.1100.4	9245.1100.4	9245.1100.4
	4p, 3 x 460V 60Hz, -N	9245.1100.4	9245.1100.4	9245.1100.4	9245.1100.4
	4/12p, 3 x 230V 50Hz	9245.1300.4	9245.1300.4	9245.1300.4	9245.1300.4
	4/12p, 3 x 400V 50Hz	9245.1301.4	9245.1301.4	9245.1301.4	9245.1301.4
	4/12p, 3 x 460V 60Hz, CSA	9245.1307.4	9245.1307.4	9245.1307.4	9245.1307.4
	8/2p, 3 x 230V 50Hz	9245.1201.4	9245.1201.4	9245.1201.4	9245.1201.4
	8/2p, 3 x 400V 50Hz	9245.1200.4	9245.1200.4	9245.1200.4	9245.1200.4
	8/2p, 3 x 460V 60Hz, CSA	9245.1206.4	9245.1206.4	9245.1206.4	9245.1206.4
110	LR fl	9247.4003.3	9248.4003.3	9249.4003.3	9249.4503.2
	LR fl, KTL	9247.4011.3	9248.4011.3	9249.4011.2	9249.4511.2
	LR ba, KTL	9247.4085.3	9248.4027.2	9249.4027.2	9249.4527.2
111	M8 x 25, Precote	9030.2022			
	M10 x 30, Precote		9030.2023		
	M10 x 26, Precote			9249.3008.4	9249.3008.4
112	M12 x 30	0030.0105			
200	112 x 98 x 63	9243.2736.4	9243.2736.4	9243.2736.4	9243.2736.4
201	M4	0031.0095	0031.0095	0031.0095	0031.0095
202	22 x 7 x 1	9058.0007	9058.0007	9058.0007	9058.0007
203	M16 x 1.5	9055.3511	9055.3511	9055.3511	9055.3511
204	M20 x 1.5	9055.3512	9055.3512	9055.3512	9055.3512
205	112 x 98 x 2	9038.4004	9038.4004	9038.4004	9038.4004
206	M4	9031.3901	9031.3901	9031.3901	9031.3901
207	M4 x 20	9030.3256	9030.3256	9030.3256	9030.3256
208	69.2 x 69.2 x 5	9247.4036.4	9247.4036.4	9247.4036.4	9247.4036.4
209	40 x 25	9058.0006	9058.0006	9058.0006	9058.0006
210	ø4.3/9 x 0.8 MS	0031.0615	0031.0615	0031.0615	0031.0615
211	M4	9031.3901	9031.3901	9031.3901	9031.3901
215	167 x 267 x 135	9247.4040.4	9247.4040.4	9247.4040.4	9247.4040.4
	167 x 267 x 135, M50	9247.4041.4	9247.4041.4	9247.4041.4	9247.4041.4
216	M25 x 1.5	9055.3103	9055.3103	9055.3103	9055.3103
217	M4 x 12	0030.3451	0030.3451	0030.3451	0030.3451
218	M5 x 20, A2	9030.8052	9030.8052	9030.8052	9030.8052
219	167 x 267	9247.4034.3	9247.4034.3	9247.4034.3	9247.4034.3
220	M25 x 1.5	9055.3513	9055.3513	9055.3513	9055.3513
221	M16 x 1.5	9055.3511	9055.3511	9055.3511	9055.3511
225	1t+NA, 400/42V	9245.4600.1	9245.4600.1	9245.4600.1	9245.4600.1
	1t+NA, 230/42V	9245.4601.1	9245.4601.1	9245.4601.1	9245.4601.1
	2t+NA, 400/42V	9245.4700.1	9245.4700.1	9245.4700.1	9245.4700.1
	2t+NA, 230/42V	9245.4701.1	9245.4701.1	9245.4701.1	9245.4701.1
	2t+NA, 460/42V	9245.4702.1	9245.4702.1	9245.4702.1	9245.4702.1
	1t+NA, 230/42V, 1Ph	9245.4650.2	9245.4650.2		
226	1.6A UL	9052.0012	9052.0012	9052.0012	9052.0012
227	400/42V 50/60Hz	9056.4701.4	9056.4701.4	9056.4701.4	9056.4701.4
	230/460//42V 50/60Hz	9056.4741.4	9056.4741.4	9056.4741.4	9056.4741.4
228	ø40 x 95, 25µF	9059.0014	9059.0014		
229	M8	9031.3904	9031.3904		
230	M8	0031.0008	0031.0008		
235	-N	9247.4020.3	9247.4020.3	9247.4020.3	9247.4020.3
	-S	9247.4021.3	9247.4021.3	9247.4021.3	9247.4021.3
236	M5 x 16	9030.0004	9030.0004	9030.0004	9030.0004
237	120 x 95 x 21	9247.2005.3	9247.2005.3	9247.2005.3	9247.2005.3
238	119 x 94 x 0.5	9247.2068.4	9247.2068.4	9247.2068.4	9247.2068.4
239	A 5 x 5 x 15	9036.0001	9036.0001	9036.0001	9036.0001
240	A 15 x 1	0031.1009	0031.1009	0031.1009	0031.1009
241	z=70, -N	9247.4023.4	9247.4023.4	9247.4023.4	9247.4023.4
	z=66, -S	9247.4027.4	9247.4027.4	9247.4027.4	9247.4027.4
242	15 x 32 x 9, 6002 2DVH	0038.1033	0038.1033	0038.1033	0038.1033
243	32 x 2.5	9035.0021	9035.0021	9035.0021	9035.0021

		PMF 1250	PMF 2500	PMF 5000	PMF 6300
244	162 x 135 x 48	9247.2004.3	9247.2004.3	9247.2004.3	9247.2004.3
245	M5	9031.3902	9031.3902	9031.3902	9031.3902
246	M5 x 35	9030.5257	9030.5257	9030.5257	9030.5257
247*	ø25 x 80	9247.4022.3	9247.4022.3	9247.4022.3	9247.4022.3
250	PMB 400, 100-240V	9245.4016.4	9245.4016.4	9245.4016.4	9245.4016.4
	PME 500, 241-500V	9245.4015.4	9245.4015.4	9245.4015.4	9245.4015.4
	PME 600, 501-690V	9245.4018.4	9245.4018.4	9245.4018.4	9245.4018.4
251	M3	0031.0034	0031.0034	0031.0034	0031.0034
252	M3	9031.3900	9031.3900	9031.3900	9031.3900
253	M3 x 10	0030.3434	0030.3434	0030.3434	0030.3434
255	-N	9247.4026.3	9247.4026.3	9247.4026.3	9247.4026.3
	-NF	9247.4025.3	9247.4025.3	9247.4025.3	9247.4025.3
	-SF	9247.4079.3	9247.4079.3	9247.4079.3	9247.4079.3
256	15 x 32 x 9, 6002 2DVH	0038.1075	0038.1075	0038.1075	0038.1075
257	15 x 35 x 11, 6202 2RS	0038.1145	0038.1145	0038.1145	0038.1145
260	100-150V 50/60Hz	9245.4013.4	9245.4013.4	9245.4013.4	9245.4013.4
	151-240V 50/60Hz	9245.4012.4	9245.4012.4	9245.4012.4	9245.4012.4
	241-300V 50/60Hz	9245.4014.4	9245.4014.4	9245.4014.4	9245.4014.4
	301-500V 50/60Hz	9245.4011.4	9245.4011.4	9245.4011.4	9245.4011.4
	501-690V 50/60Hz	9245.4017.4	9245.4017.4	9245.4017.4	9245.4017.4
261	5 x 5 x 10	0036.0010	0036.0010	0036.0010	0036.0010
262	M4 x 45	0030.9287	0030.9287	0030.9287	0030.9287
263	ø16/22 x 2	9031.3205	9031.3205	9031.3205	9031.3205
264	A 15 x 1	0031.1009	0031.1009	0031.1009	0031.1009
265*	ø19 x 39.4	9247.3008.4	9248.3008.4	9249.3009.4	9249.3009.4
270*	LR fl	9247.3001.3	9248.3001.3	9249.3001.3	9249.3501.3
275*	LR ba	9247.3012.3	9248.3012.3	9249.4012.3	9249.4512.3
280*	LR fl	9247.4001.3	9248.4001.3	9249.4001.3	9249.4501.3
285*	LR ba	9247.4012.3	9248.4012.3	9249.4012.3	9249.4512.3
290	8 x 1 mm ²			9249.2005.4	9249.2005.4
295	8 x 1 mm ²	9243.2728.4	9243.2728.4	9243.2728.4	9243.2728.4
300	ø32 x 186, 70-140 mm	9247.3034.3			
	ø32 x 286, 70-240 mm	9247.3004.3			
	ø42 x 258, 88-300 mm		9248.3032.3		
	ø42 x 358, 88-300 mm		9248.3004.3		
	ø40 x 368, 91-300 mm			9249.3004.3	
	ø45 x 392, 91-300 mm				9249.3504.3
301	M6 x 10 T	9030.2020			
	M8 x 12 T		9030.2021	9030.2021	9030.2021
302	ø50 / ø32 x 9	9247.3006.4			
	ø60 / ø42 x 12		9248.3006.4		
	ø60 / ø40 x 12			9249.3006.4	
	ø60 / ø45 x 12				9249.3506.4
305	210 x 140 x 15			9408.3020.3	9408.3020.3

Schützensteuerung
 Contactor control
 Commande par contacteurs

1 Geschwindigkeit mit Not-Aus
 1 speed with emergency stop
 1 vitesse avec marche-arrêt
 9249.9500.3 / 3 Ph

2 Geschwindigkeiten mit Not-Aus
 2 speeds with emergency stop
 2 vitesses avec marche-arrêt
 9249.9501.3 / 3 Ph

F	Steuersicherung Control fuse Fusible de commande
K	Schütz Contactor Contacteur
L	Zuleitung Power supply Alimentation électrique
NA	Not-Aus Emergency stop Marche-arrêt
PE	Erdung Earth Mise à la terre
S	Schalter Switch Interrupteur
T	Transformator Transformer Transformateur
U, V, W	Motor Motor Moteur
X	Klemmenleiste Terminal strip Bornier de raccordement
Y	Bremse Brake Frein

