

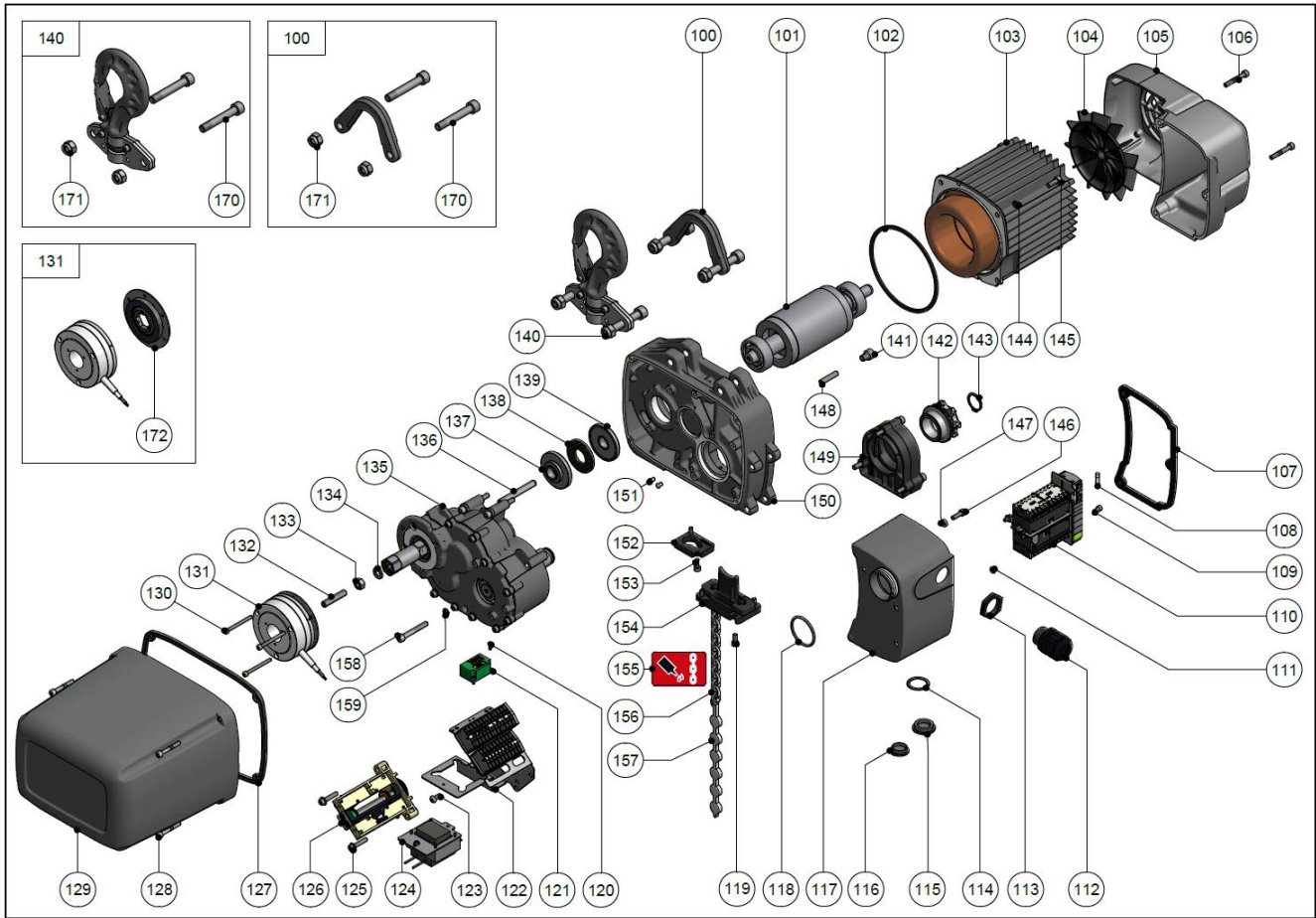
## ERSATZTEILE | STROMLAUFPLÄNE

### PEHKH 500

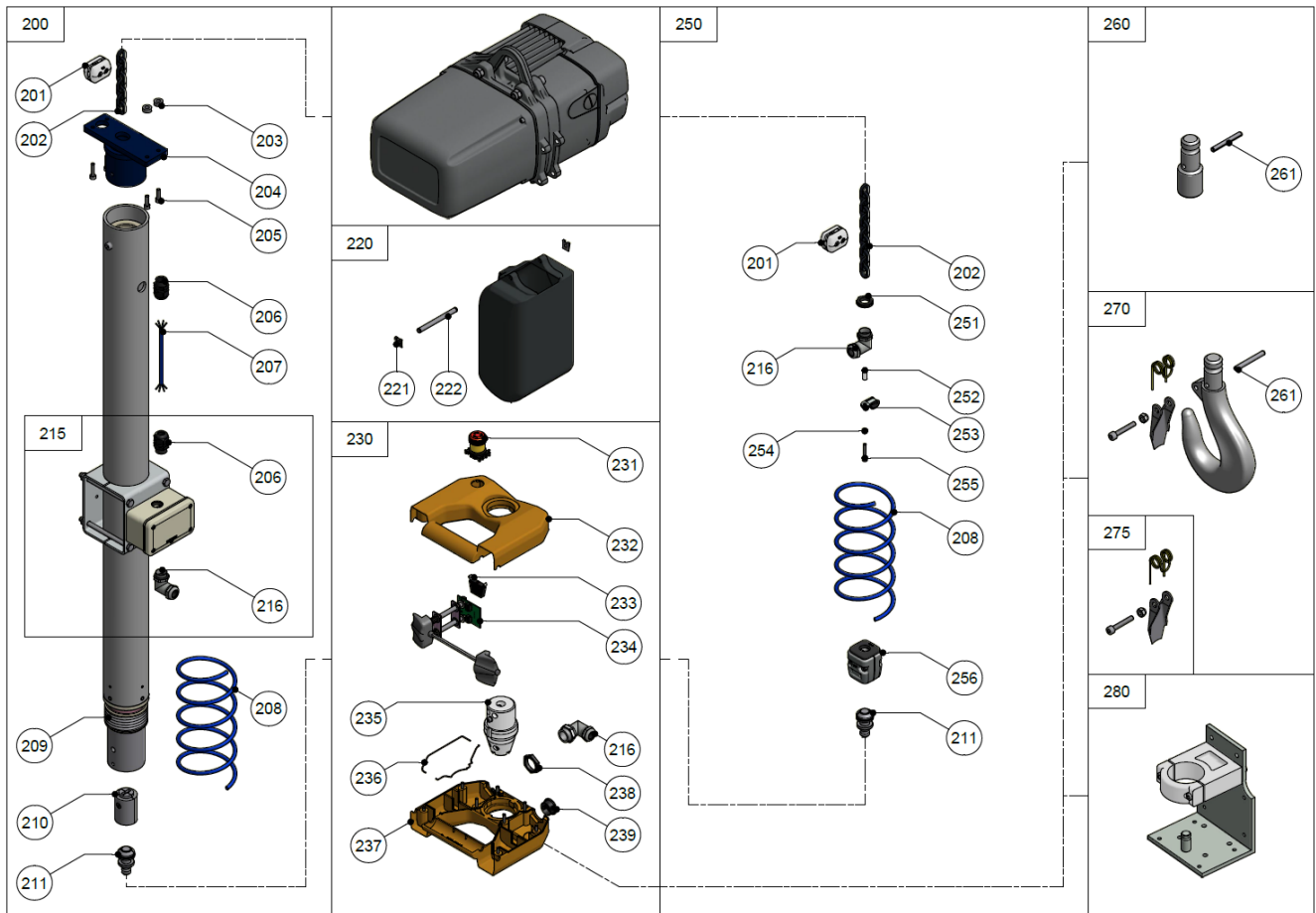
Spare parts | Pièces de rechange | Onderdelen | Reservedele | Varaosat |  
Pezzi di ricambio | Reservedelen | Peças | Reservdelar | Piezas de recambio

Circuit diagrams | Schéma de connexions | Stroomschema | Kredsløbsdiagrammer |  
Kytentäkaavio | Aansluitschema | Schema elettrico | Koplingskjema |  
Esquema electrico | Elschema | Esquema eléctrico





9510.9226.5



9510.9227.5

		PEH 500
100*	84 x 59	9510.3077.3
101	1t / 2t L=90	9510.3027.3
102	ø125/ø117 x 2.5	9510.3054.4
103	2/8p 3 x 400V 50Hz	9512.0350.3
	2/8p 3 x 230V 50Hz	9512.0351.3
	2/8p 3 x 460V 60Hz	9512.0350.3
104	ø134/ø13.5 x 35	9510.3062.3
105	165 x 88 x 232	9510.3011.1
106	M5 x 35/22 N	9030.0331
107*	110 x 166 x 5	9510.3033.3
108	0.4A UL	9052.0013
109	M4 x 8	9030.0325
110	2t+NA 42V	9512.1100.2
111	ø4.3/ø8 x 0.8	9031.3706
112	M25 x 1.5	9055.3103
113	M25	9055.4013
114	ø29.5/ø23.2 x 1	9040.2511
115	M25 x 1.5	9055.3513
116	M20 x 1.5	9055.3512
117	102 x 165 x 102	9510.3006.2
118	ø38.7 x 2.65 NBR 70	9035.0033
119	M5 x 12 T	9030.0003
120	M3 x 8	9030.8030
121	PMEA 500	9050.4023
122	1t, 2t, max. 480V	9512.1200.3
123	M5 x 10	9030.0027
124	400/42V 50/60Hz	9056.4601.4
	230/460/42V 50/60Hz	9056.4641.4
125	M5 x 25	9030.0022
126	103 x 84 x 41	9500.3069.3
127*	230 x 162 x 5	9510.3034.3
128	M5 x 35/22 N	9030.0331
129	228 x 160 x 208	9510.3005.3
130	M4 x 45	0030.9287

		PEH 500
131	6Nm 200-240VAC 50/60Hz	9050.4056
	6Nm 360-420VAC 50/60Hz	9050.4057
	6Nm 440-480VAC 50/60Hz	9050.4058
132	M8 x 40	9030.2018
133	M8	0031.0008
134	ø8.4/ø16 x 1.6	0031.0578
135	195 x 148 x 201 N	9510.3020.2
	195 x 148 x 201 S	9510.3022.2
136	ø8 x 65	9031.5862
137*	ø45 x 13.2	9510.3059.4
138*	ø40/ø26.5 x 4	9510.3057.4
139*	ø45 x 10.5	9510.3058.4
140*	171 x 115 x 34.6	9510.3078.3
141	M8 x 10	9030.0332
142	ø54 x 35.5	9511.3030.2
143	DIN 471 22 x 1.2	9031.2013
144	M6	9031.3903
145	M6 x 16	9030.0275
146	M5 x 16	9030.0262
147	ø9.8/ø5.1 x 3	9031.3705
148*	ø6 x 38	9511.3066.4
149*	66 x 31 x 88	9511.3061.4
150	187 x 55 x 250	9510.3000.1
151	ø6.5 x 7	9040.0718
152	41.5 x 34 x 8.3	9510.3013.4
153	M5x12 T	9030.0003
154*	80 x 53 x 45	9511.3008.3
155	0.25 l	9041.0007
156	5.25 x 15	9039.0029
157*	193 x 17 x 5 (5.25)	9041.6035
158	M6 x 45/24	9030.0280
159	M6	9031.3903
170	M10 spez.	9400.3049.4
171	M10	9031.1278
172*	ø84 x 9	9400.3156.4

		PEH 500
200	PEHHTD L=500/1500	9511.4000.2
	PEHHTD L=2000	9511.4001.2
201	44 x 32	9511.3013.3
202	5.25 x 15	9039.0029
203	Ø16/Ø8x6.5	9511.4026.4
204	Ø80	9511.4020.3
205	M6x25	9030.0276
206*	M20x1.5	9055.3102
207	8x1mm <sup>2</sup> , L=	9055.0007
208*	5P L=1200/1500	9210.4090.4
	5P L=2000	9210.4013.4
	5P L=3000	9210.4013.4
	5P L=4000	9210.4014.4
209	L=500/1500	9211.4040.3
	L=2000	9211.4041.3
210	Ø39x58	9511.4022.4
211*	Ø28x51.5	9401.4027.4
215	96x70x172.5	9211.4042.4
216	M20x1.5	9055.3116
220	120x155x250, 6m	9510.3016.1
221	15x17x3.5	9031.2400
222	Ø8x94	9510.3056.4
230	210x174x70	9401.4009.3
231	Ø30x42.85	9051.4001
232	210x174x36.25	9401.4013.2
233	40x31.5x8	9051.3407
234	210x123.8x60, kompl.	9401.4025.4
235	Ø59.5x100	9401.4021.3
236	Ø1.5/0.5 L=310	9040.4009
237	210x174x36.25	9401.4014.2
238	M25 KS	9055.4013

		PEH 500
239	Ø25.5	9040.0862
250	PEHH L=4000	9511.4002.2
251	M20 KS	9055.4012
252	Ø8/5.2 x 18	9215.3129.4
253	RSKU 8/15	9031.8009
254	M5	9031.3902
255	M5 x 35/22	9030.0267
256*	48 x 48 x 58	9511.3109.4
260	Ø22 x 57, M12	9210.4009.4
261	Ø4 x 36	0031.6032
270*	27.8 x 84	9511.4029.3
		9511.4030.4
275*	54 x 23	9510.3079.4
280	208 x 120 x 8	9211.4055.4

# Elektrokettenzüge | Electric chain hoists | Palans électriques à chaîne

Schützensteuerung Contactor control Commande par contacteurs		2 Geschwindigkeiten mit Not-Aus 2 speeds with emergency stop 2 vitesses avec marche-arrêt	3 Ph	9510.9501.4
F	Steuersicherung	Control fuse	Fusible de commande	
K	Schütz	Contacteur	Contacteur	
L	Zuleitung	Power supply	Alimentation électrique	
N	Nullleiter	Neutral	Neutre	
NA	Not-Aus	Emergency stop	Marche-arrêt	
PE	Erdung	Earth	Mise à la terre	
S	Schalter	Switch	Interrupteur	
T	Transformator	Transformer	Transformateur	
U, V, W	Motor	Motor	Moteur	
X	Klemmenleiste	Terminal strip	Bornier de raccordement	
Y	Bremse	Brake	Frein	

9510.9501.4 / 3 Ph

